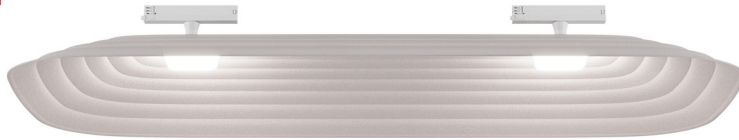


FUJI HACHI AKARI | CEILING SYSTEM

Track mounted acoustic luminaires for workstations



Product Description

The Fuji Akari Range re imagines the concept of acoustic ceiling systems through incorporating high quality luminaires.

Beautifully designed and made in Australia the Fuji Hachi Akari allows for the ultimate in lighting customisation while combining acoustic properties to assist in unwanted sound reverberation. The Fuji Hachi Akari features a shallow diffused luminaire providing a perfect solution for general ambient illumination.

The Fuji Hachi Akari can be mounted singularly over a workstation or as a large group, either with suspended or surface mounted 3 circuit track.

Product Details

Absolute luminous flux	up to 2 X 1163 lm
System watts	2 X 5.5W / 2 X 8W / 2 X 10W
Luminaire efficacy	up to 117lm/W
Colour deviation	3 SDCM
Colour rendition Index	>90
Correlated colour temperature	2700K / 3000K / 3500K / 4000K
Lumen maintenance	L90B10 72,000hours
Dimming method	DALI / Casambi
Compatible track	Compatible with Global 3-circuit track
Diffuser	Frosted acrylic diffuser
Luminaire housing	Aluminium
Luminaire housing colour	Black / White / Custom
Luminaire baffle colour	Black
Custom body finishes	Custom powdercoat colour
Acoustic cover	PET, 60% post consumer recycled PET
Acoustic cover colour	Black/Black, Black/Cream, Cream/Cream
Country of origin	Australia
Warranty	7 years

OPTIONAL ACCESSORIES



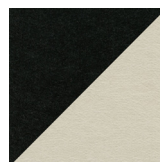
BLANKING COVER WH
FUJI.BLANK.WH



BLANKING COVER BL
FUJI.BLANK.BL

Blanking plates are used in place of luminaires when a luminaire is not required

PANEL COLOUR OPTIONS



BLACK UPPER /
CREAM LOWER



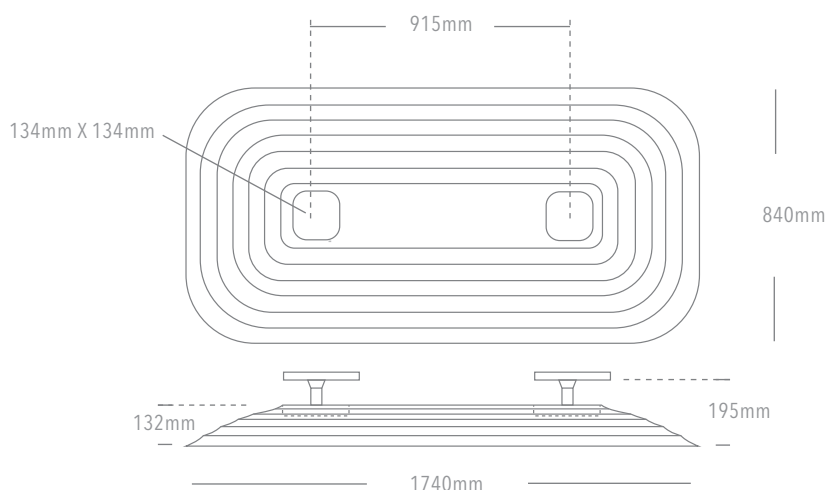
BLACK UPPER /
BLACK LOWER



CREAM UPPER /
CREAM LOWER

TECHNICAL SPECIFICATIONS

Dimensions



Complete with 3-circuit track adaptor - Track and track accessories sold separately

Fuji hood sound absorption

Fuji Hood dimensions mm (+ / - 3mm)	o.d.s*mm (+ / - 3mm)	Performance indices			
		α_w	Class	SAA	NRC
HACHI 840mm x 1740mm x 132mm	241	0.8	B	0.76	0.8

*o.d.s = overall depth of system

Fuji hood fire test

BS EN 13501.1: Classification B - s1, d0
ISO 9705: Group 2
GB 8624 B1
ASTM E84 Unadhered: Class 1 or A

Fuji hood emissions

FUJI ROKU, JUNI, KU and HACHI achieves:
ASTM D5116: TVOC Emissions Rate: <0.046mg/m²/hr (7 days)
CDPH Standard Method v1.2: TVOC Emissions Rate: <0.020mg/m³
Formaldehyde Emissions Rate: <1µg/m³

Fuji hood composition

Fuji Hood: 100% PET (64% post-consumer recycled)

For additional specifications and performance details including ies files please visit www.elslighting.com.au

Product Variants HOW TO SPECIFY

FIXED CCT

Select from the available options to configure luminaire

FHA		200	93		66	W	908						
MODEL		OUTPUT	CRI CCT		DIMMING	LUMINAIRE COLOUR	COVER FINISH						
FHA	FUJI HATCHI	100	5.5W - 675lm	9	90+	27	2700K	61	NON DIM	W	WHITE	908	Cream/Cream
	AKARI	150	8W - 885lm		3	3000K	66	DALI	B	BLACK	420	Cream/Black	
		200	10W - 1163lm		35	3500K	68	CASAMBI	X	CUSTOM	550	Black/Black	
					4	4000K							

Lumen outputs listed based per luminaire, 2 luminaires supplied per hood package.

Lumen outputs listed based on 4000K option in cream cover



Mounted with suspended track



Australian made like nothing **ELS**e.