

ICONIC 66 TRACKLIGHT

BLUETOOTH CONTROLLABLE TRACK MOUNTED LED SPOTLIGHT



- Xicato XIM Gen4 technology
- Bluetooth enabled
- Standard CRI 83+ or Artist high CRI 98
- 3000K, 4000K or 2700K upon request
- Machined aluminium body
- High quality, mirror finish low glare reflector
- Excellent colour consistency from luminaire to luminaire
- 5 year colour consistency warranty - no colour shift
- Made in Australia
- Supplied with remote 150w 48v power supply to run max. 8 luminaires.
- L70B0F0 at 55,000 hours
- **7 year warranty**

XIM GEN4 BLE 48V – 83+ CRI - LOW OUTPUT

DALI Dimmable	Bluetooth Dimmable	Beam	CCT	Lumens	Watts
ICT66.XBL48.N.83.66	ICT66.XBL48.N.83.67	28°	3000K	690	8.5
ICT66.XBL48.N.84.66	ICT66.XBL48.N.84.67	28°	4000K	690	8.5
ICT66.XBL48.M.83.66	ICT66.XBL48.M.83.67	36°	3000K	685	8.5
ICT66.XBL48.M.84.66	ICT66.XBL48.M.84.67	36°	4000K	685	8.5
ICT66.XBL48.W.83.66	ICT66.XBL48.W.83.67	55°	3000K	655	8.5
ICT66.XBL48.W.84.66	ICT66.XBL48.W.84.67	55°	4000K	655	8.5

XIM GEN4 BLE 48V – 83+ CRI - HIGH OUTPUT

DALI Dimmable	Bluetooth Dimmable	Beam	CCT	Lumens	Watts
ICT66.XB48.N.83.66	ICT66.XB48.N.83.67	28°	3000K	1150	14
ICT66.XB48.N.84.66	ICT66.XB48.N.84.67	28°	4000K	1150	14
ICT66.XB48.M.83.66	ICT66.XB48.M.83.67	36°	3000K	1142	14
ICT66.XB48.M.84.66	ICT66.XB48.M.84.67	36°	4000K	1142	14
ICT66.XB48.W.83.66	ICT66.XB48.W.83.67	55°	3000K	1092	14
ICT66.XB48.W.84.66	ICT66.XB48.W.84.67	55°	4000K	1092	14

XIM GEN4 BLE 48V – 98 CRI - LOW OUTPUT

DALI Dimmable	Bluetooth Dimmable	Beam	CCT	Lumens	Watts
ICT66.XBL48.N.93.66	ICT66.XBL48.N.93.67	28°	3000K	678	11
ICT66.XBL48.N.94.66	ICT66.XBL48.N.94.67	28°	4000K	678	11
ICT66.XBL48.M.93.66	ICT66.XBL48.M.93.67	36°	3000K	685	11
ICT66.XBL48.M.94.66	ICT66.XBL48.M.94.67	36°	4000K	685	11
ICT66.XBL48.W.93.66	ICT66.XBL48.W.93.67	55°	3000K	655	11
ICT66.XBL48.W.94.66	ICT66.XBL48.W.94.67	55°	4000K	655	11

XIM GEN4 BLE 48V – 98 CRI - HIGH OUTPUT

DALI Dimmable	Bluetooth Dimmable	Beam	CCT	Lumens	Watts
ICT66.XB48.N.93.66	ICT66.XB48.N.93.67	28°	3000K	926	16
ICT66.XB48.N.94.66	ICT66.XB48.N.94.67	28°	4000K	926	16
ICT66.XB48.M.93.66	ICT66.XB48.M.93.67	36°	3000K	905	16
ICT66.XB48.M.94.66	ICT66.XB48.M.94.67	36°	4000K	905	16
ICT66.XB48.W.93.66	ICT66.XB48.W.93.67	55°	3000K	895	16
ICT66.XB48.W.94.66	ICT66.XB48.W.94.67	55°	4000K	895	16

ACCESSORIES



Track box for 3 circuit track

Suitable for retrofit applications.

48v power supply located inside track box.

To order track light with box and 3 circuit adaptor use additional part code TL66.TB



Surface mount ceiling rose

To ceiling mount luminaires independently of track

To order ceiling rose add .CR to end of part code

COLOUR FINISH



white - WH



silver - SIL



black - BLK



custom powdercoat colour

ACCESSORIES



Black baffle
IC66.BF



Honeycomb louvre
IC66.HL



Black Snoot 30mm
IC66.S30

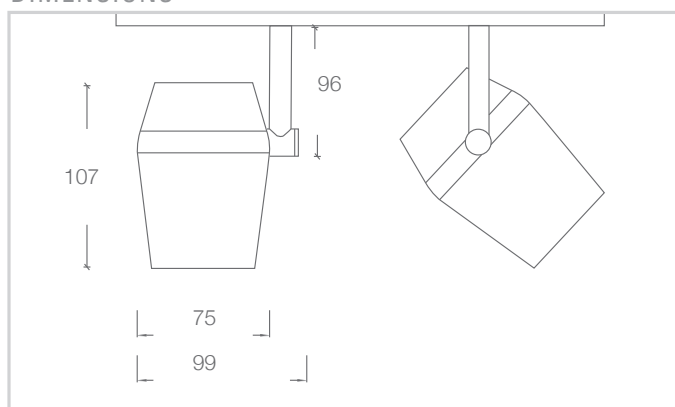


Black Snoot 70mm
IC66.S70

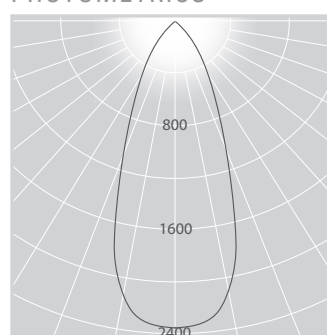


Black Snoot Angle
IC66.SA

DIMENSIONS



PHOTOMETRICS



ICT66.XB48.M.83.66

1 CIRCUIT TRACK



See website for
1 circuit track &
accessories

Street Address:

39 Tinning Street, Brunswick,
Victoria, 3056, Australia

Postal Address:

PO BOX 5084
Moreland West VIC 3055

T +61 3 9222 5522

www.elslighting.com.au

