

ADL66 DOWNLIGHT

LED RECESSED DOWNLIGHT



- Xicato XTM technology
- Standard CRI 83+ or Artist high CRI 98
- 3000K, 4000K or 2700K upon request
- High quality, mirror finish low glare reflector
- Excellent colour consistency from luminaire to luminaire
- 5 year colour consistency warranty - no colour shift
- Thin 1.3mm white polycarbonate trim
- Made in Australia
- L70B0 at 55,000 hours

NIGHTLIGHT XTM 240V – 83+ CRI

| Non Dimmable | CCT | Lumens | Watts |
|--------------------|-------|--------|-------|
| ADL66.XTM2.8030.61 | 3000K | 250 | 3 |
| ADL66.XTM2.8040.61 | 4000K | 250 | 3 |

XTM 240V – 83+ CRI

| Non Dimmable | DALI Dimmable | Beam | CCT | Lumens | Watts |
|---------------------|---------------------|------|-------|--------|-------|
| ADL66.XTM7N.8030.61 | ADL66.XTM7N.8030.66 | 24° | 3000K | 607 | 6 |
| ADL66.XTM7N.8040.61 | ADL66.XTM7N.8040.66 | 24° | 4000K | 607 | 6 |
| ADL66.XTM3M.8030.61 | ADL66.XTM3M.8030.66 | 35° | 3000K | 626 | 6 |
| ADL66.XTM3M.8040.61 | ADL66.XTM3M.8040.66 | 35° | 4000K | 626 | 6 |
| ADL66.XTM3W.8030.61 | ADL66.XTM3W.8030.66 | 55° | 3000K | 607 | 6 |
| ADL66.XTM3W.8040.61 | ADL66.XTM3W.8040.66 | 55° | 4000K | 607 | 6 |

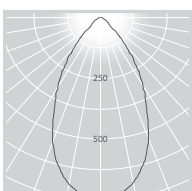
XTM 240V – 98 CRI

| Non Dimmable | Trailing Edge Dimmable | DALI Dimmable | Beam | CCT | Lumens | Watts |
|---------------------|------------------------|---------------------|------|-------|--------|-------|
| ADL66.XTM7N.9530.61 | ADL66.XTM7N.9530.63 | ADL66.XTM7N.9530.66 | 24° | 3000K | 621 | 8 |
| ADL66.XTM7N.9540.61 | ADL66.XTM7N.9540.63 | ADL66.XTM7N.9540.66 | 24° | 4000K | 621 | 8 |
| ADL66.XTM3M.9530.61 | ADL66.XTM3M.9530.63 | ADL66.XTM3M.9530.66 | 35° | 3000K | 645 | 8 |
| ADL66.XTM3M.9540.61 | ADL66.XTM3M.9540.63 | ADL66.XTM3M.9540.66 | 35° | 4000K | 645 | 8 |
| ADL66.XTM3W.9530.61 | ADL66.XTM3W.9530.63 | ADL66.XTM3W.9530.66 | 55° | 3000K | 621 | 8 |
| ADL66.XTM3W.9540.61 | ADL66.XTM3W.9540.63 | ADL66.XTM3W.9540.66 | 55° | 4000K | 621 | 8 |

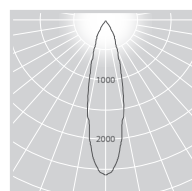
COLOUR FINISH



PHOTOMETRICS

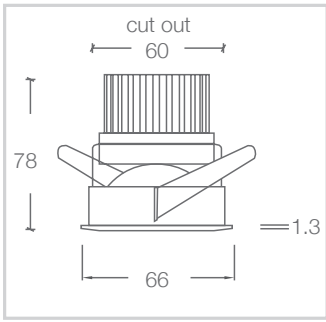


ADL66.XTM3.8030.61

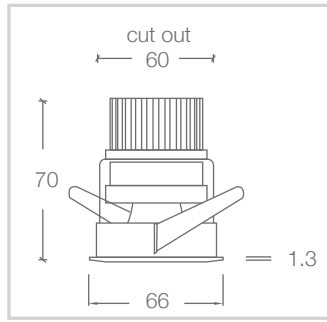


ADL66.XTM7.8030.61

DIMENSIONS – 24° & NIGHTLIGHT



DIMENSIONS – 35° & 55°



Street Address:
39 Tinning Street, Brunswick,
Victoria, 3056, Australia

Postal Address:
PO BOX 5084
Moreland West VIC 3055

T +61 3 9222 5522
www.elslighting.com.au

