

# ESDIUM INDUSTRIAL

## IP65 LED FLOODLIGHT



- IP66 rated
- Aluminium housing powdercoated
- Available in 3000K, 4000K or 5000K
- 80+ CRI
- 6 different optics available
- Made in EU

### HOW TO ORDER

4400 . 58 . 15 . 0 . 85 . DRD  
fitting . body colour . wattage . optic . CCT . accessories

#### M1 – 150W

Non Dimmable	CCT.	Lumens	Watts
4400.58.15.0.83	3000K	15300	150
4400.58.15.0.84	4000K	16290	150
4400.58.15.0.85	5000K	16560	150

#### M2 – 300W

Non Dimmable	CCT.	Lumens	Watts
4400.58.30.0.83	3000K	30600	300
4400.58.30.0.84	4000K	32580	300
4400.58.30.0.85	5000K	33120	300

#### M3 – 450W

Non Dimmable	CCT.	Lumens	Watts
4400.58.45.0.83	3000K	45900	450
4400.58.45.0.84	4000K	48870	450
4400.58.45.0.85	5000K	49680	450

#### M4 – 600W

Non Dimmable	CCT.	Lumens	Watts
4400.58.60.0.83	3000K	61200	600
4400.58.60.0.84	4000K	65160	600
4400.58.60.0.85	5000K	66240	600

## CCT

3000K	83
4000K	84
5000K	85

## BODY COLOUR

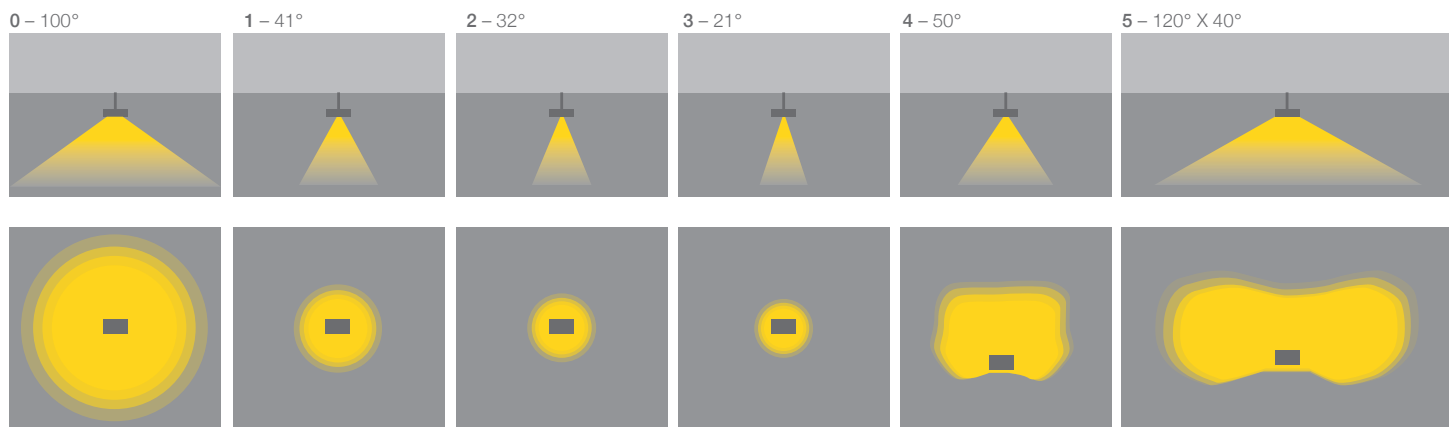
Dark grey	58
Black	02
White	01

## OPTIONAL ACCESSORIES

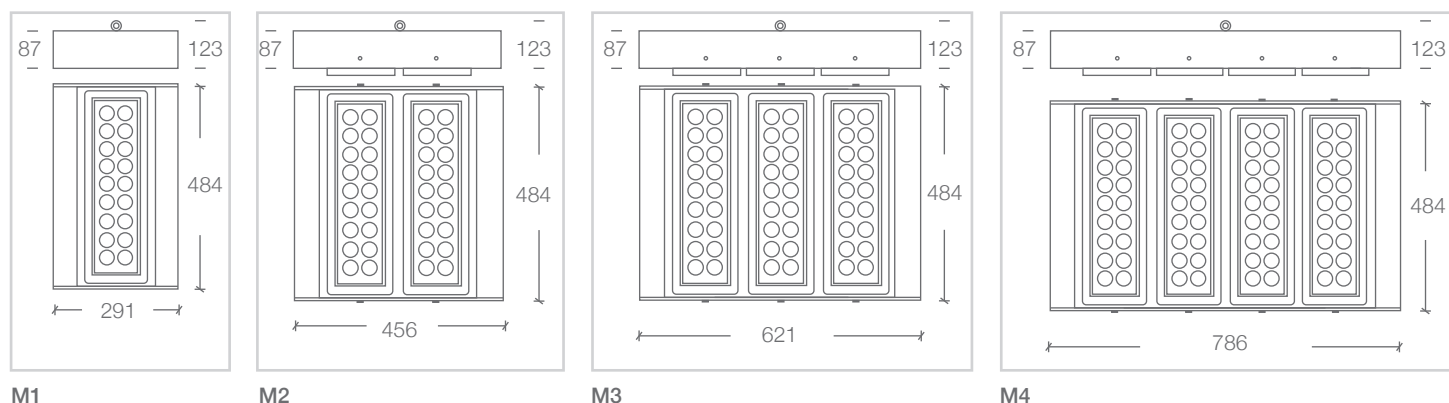
DALI dimmable driver	DRD
----------------------	-----

## OPTICS

Symmetric 100°	0
Extensive symmetric 41°	1
Medium symmetric 32°	2
Intensive symmetric 21°	3
Frontal asymmetric 50°	4
Asymmetric 2 sides 120° x 40°	5



## DIMENSIONS



### Street Address:

39 Tinning Street, Brunswick,  
Victoria, 3056, Australia

### Postal Address:

PO BOX 5084  
Moreland West VIC 3055

T +61 3 9222 5522

[www.elslighting.com.au](http://www.elslighting.com.au)

