

# EDL 110 DOWNLIGHT

LED RECESSED DOWNLIGHT

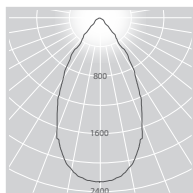


- Standard CRI 83+
- 3000K or 4000K
- High quality, mirror finish low glare reflector
- Thin 2.5mm white polycarbonate trim
- Made in Australia
- L70B10 at 50,000 hours

## EDL110

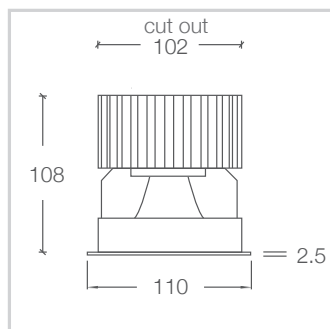
Non Dimmable	Trailing Edge Dimmable	DALI Dimmable	CCT	Lumens	Watts
EDL110.52.500.3.61	EDL110.52.500.3.63	EDL110.52.500.3.66	3000K	1920	20
EDL110.52.500.4.61	EDL110.52.500.4.63	EDL110.52.500.4.66	4000K	1920	20

## PHOTOMETRICS



EDL110.52.500.3.61

## DIMENSIONS



**Street Address:**  
39 Tinning Street, Brunswick,  
Victoria, 3056, Australia

**Postal Address:**  
PO BOX 5084  
Moreland West VIC 3055

T +61 3 9222 5522  
[www.elslighting.com.au](http://www.elslighting.com.au)

