

OVALE

IP65, VENDAL PROOF LED WALL AND CEILING LIGHT



- Base and trim manufactured from U.V stabilised flame retardant polycarbonate
- Lens manufactured from specially formulated U.V stabilised opal polycarbonate to minimise lamp image and maximise light output
- Stainless steel Phillips head screws
- Suitable for wall or ceiling mounting
- Optional tamper resistant allen head screws available
- IP65 degree of protection
- 3000K or 4000K

OVALE LED – OPEN FACE

Non Dimmable	CCT	Lumens	Watts	Trim Colour
OVW.8.3000.61	3000K	426	8	White
OVW.8.4000.61	4000K	460	8	White
OVS.8.3000.61	3000K	426	8	Silver
OVS.8.4000.61	4000K	460	8	Silver
OVB.8.3000.61	3000K	426	8	Black
OVB.8.4000.61	4000K	460	8	Black

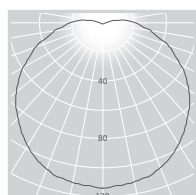
OVALE LED – SCREEN FACE

Non Dimmable	CCT	Lumens	Watts	Trim Colour
OSW.8.3000.61	3000K	320	8	White
OSW.8.4000.61	4000K	320	8	White
OSS.8.3000.61	3000K	320	8	Silver
OSS.8.4000.61	4000K	320	8	Silver
OSB.8.3000.61	3000K	320	8	Black
OSB.8.4000.61	4000K	320	8	Black

COLOUR FINISH



PHOTOMETRICS

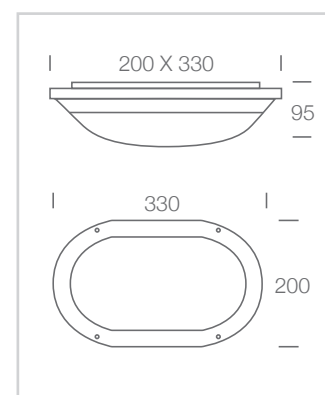


OVW.8.3000.61

SCREEN TRIM



DIMENSIONS



Street Address:
39 Tinning Street, Brunswick,
Victoria, 3056, Australia

Postal Address:
PO BOX 5084
Moreland West VIC 3055

T +61 3 9222 5522
www.elslighting.com.au

