

SUMO 350

IP65 WEATHERPROOF, VANDAL RESISTANT LED LIGHT



- Die cast aluminium base powdercoated finish
- Opal polycarbonate lens
- Stainless steel allen head trim screws
- 3000K or 4000K
- IP65 rated
- Emergency version available

NSM350 LED – OPEN FACE

Non Dimmable	DALI Dimmable	CCT	Lumens	Watts
NSM350.17.3000.61	NSM350.17.3000.66	3000K	1010	15
NSM350.17.4000.61	NSM350.17.4000.66	4000K	1060	15

NSG350 LED – GRILL FACE

Non Dimmable	DALI Dimmable	CCT	Lumens	Watts
NSG350.17.3000.61	NSG350.17.3000.66	3000K	860	15
NSG350.17.4000.61	NSG350.17.4000.66	4000K	905	15

SUMO 350 LED MAINTAINED EMERGENCY

Part Code Open Face: NSM350.17.3000.ME / NSM350.17.4000.ME

Part Code Grill Face: NSG350.17.3000.ME / NSG350.17.4000.ME

Classifications:

Ceiling Mount

Photometric Test Report: LL17337

Thermal Test Report: LL1335402T

CO - D16 C90 - C40

Wall Mount

Photometric Test Report: LL17338

Thermal Test Report: LL1335402T

CO - E2 C90 - E2

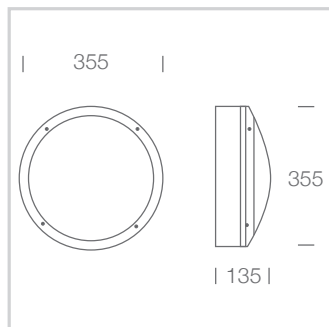
*Tests conducted using grill face. CO direction is along decorative bars

HOW TO SPECIFY COLOUR

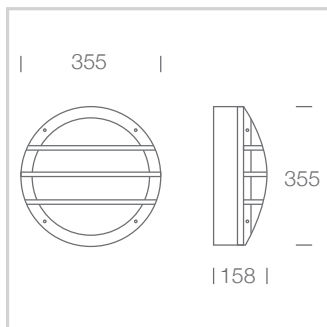


DIMENSIONS

NSM350 LED – OPEN FACE



NSG350 LED – GRILL FACE



Street Address:

39 Tinning Street, Brunswick,
Victoria, 3056, Australia

Postal Address:

PO BOX 5084
Moreland West VIC 3055

T +61 3 9222 5522

www.elslighting.com.au

