

9000 DOWNLIGHT

SQUARE RECESSED DOWNLIGHT



- Xicato XTM technology
- Standard CRI 83+ or Artist high CRI 98
- 3000K or 4000K
- Black internal with 25° shielding angle
- White painted trim
- Tilt adjustable to 20°
- Excellent colour consistency from luminaire to luminaire
- 5 year colour consistency warranty - no colour shift
- L70B0 at 55,000 hours

XTM 240V – 83+ CRI

Non Dimmable	Trailing Edge Dimmable	DALI Dimmable	CCT.	Lumens	Watts
9000.XTM5.8030.61	9000.XTM5.8030.63	9000.XTM5.8030.66	3000K	712	8
9000.XTM5.8040.61	9000.XTM5.8040.63	9000.XTM5.8040.66	4000K	712	8
9000.XTM7.8030.61	9000.XTM7.8030.63	9000.XTM7.8030.66	3000K	955	12.5
9000.XTM7.8040.61	9000.XTM7.8040.63	9000.XTM7.8040.66	4000K	955	12.5

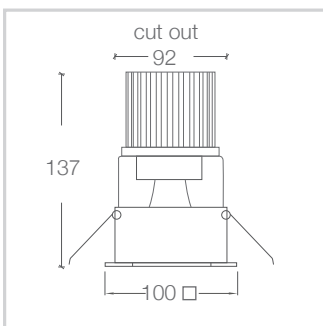
XTM 240V – 98 CRI

Non Dimmable	Trailing Edge Dimmable	DALI Dimmable	CCT	Lumens	Watts
9000.XTM5.9530.61	9000.XTM5.9530.63	9000.XTM5.9530.66	3000K	709	11.5
9000.XTM5.9540.61	9000.XTM5.9540.63	9000.XTM5.9540.66	4000K	709	11.5
9000.XTM7.9530.61	9000.XTM7.9530.63	9000.XTM7.9530.66	3000K	955	16.5
9000.XTM7.9540.61	9000.XTM7.9540.63	9000.XTM7.9530.66	4000K	955	16.5

COLOUR FINISH



DIMENSIONS



Street Address:
39 Tinning Street, Brunswick,
Victoria, 3056, Australia

Postal Address:
PO BOX 5084
Moreland West VIC 3055

T +61 3 9222 5522
www.elslighting.com.au

