

ADL150 WIDE BEAM DOWNLIGHT

LED RECESSED DOWNLIGHT



- Philips Fortimo or Xicato XTM technology
- Standard CRI 83+ or Artist high CRI 98
- 3000K or 4000K
- High quality, mirror finish low glare reflector
- Excellent colour consistency from luminaire to luminaire (Xicato)
- 5 year colour consistency warranty - no colour shift (Xicato)
- Thin 1.3mm white polycarbonat trim
- Made in Australia
- L70B0 at 55,000 hours (Xicato)
- L70B10 at 50,000 hours (Fortimo)

PHILIPS FORTIMO

Non Dimmable	DALI Dimmable	Beam	CCT.	Lumens	Watts
ADL150.1100.90.30.61	ADL150.1100.90.30.66	90°	3000K	972	11.5
ADL150.2000.90.30.61	ADL150.2000.90.30.66	90°	3000K	1877	20.5
ADL150.3000.90.30.61	ADL150.3000.90.30.66	90°	3000K	2486	29
ADL150.1100.90.40.61	ADL150.1100.90.40.66	90°	4000K	972	10.5
ADL150.2000.90.40.61	ADL150.2000.90.40.66	90°	4000K	1877	18.5
ADL150.3000.90.40.61	ADL150.3000.90.40.66	90°	4000K	2486	27

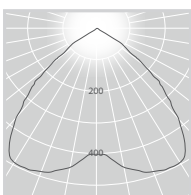
XTM 240V – 83+ CRI

Non Dimmable	DALI Dimmable	Beam	CCT	Lumens	Watts
ADL150.XTM14.90.83.61	ADL150.XTM14.90.83.66	90°	3000K	4151	47
ADL150.XTM14.90.84.61	ADL150.XTM14.90.84.66	90°	4000K	4151	47
ADL150.XTM10.90.83.61	ADL150.XTM10.90.83.66	90°	3000K	3190	34
ADL150.XTM10.90.84.61	ADL150.XTM10.90.84.66	90°	4000K	3190	34
ADL150.XTM7.90.83.61	ADL150.XTM7.90.83.66	90°	3000K	2240	23
ADL150.XTM7.90.84.61	ADL150.XTM7.90.84.66	90°	4000K	2240	23

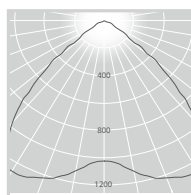
XTM 240V – 98 CRI

Non Dimmable	DALI Dimmable	Beam	CCT	Lumens	Watts
ADL150.XTM10.90.93.61	ADL150.XTM10.90.93.66	90°	3000K	2490	34
ADL150.XTM10.90.94.61	ADL150.XTM10.90.94.66	90°	4000K	2490	34
ADL150.XTM7.90.93.61	ADL150.XTM7.90.93.66	90°	3000K	1775	23
ADL150.XTM7.90.94.61	ADL150.XTM7.90.94.66	90°	4000K	1775	23

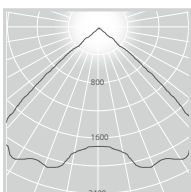
PHOTOMETRICS



ADL150.1100.90.40.61






ADL150.3000.90.40.61



ADL150.XTM14.90.83.61

COLOUR FINISH

-  white - WH
-  silver - SIL
-  black - BLK

OPTIONAL ACCESSORIES

Frosted glass inlay IP44**
Order code - SDL150-G4



Vandal resistant lens
Order code - SDL150-VR

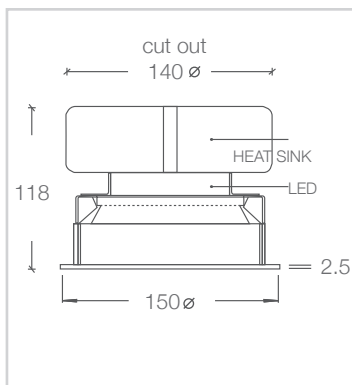


Clear glass inlay IP44**
Order code - SDL150-G5

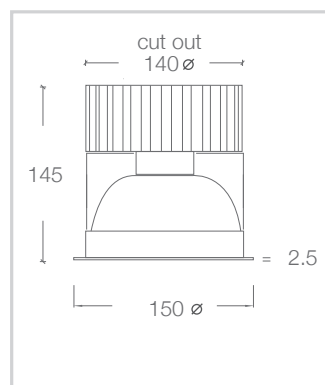


**IP Rating is from below the ceiling only

DIMENSIONS – FORTIMO



DIMENSIONS – XTM & XIM



Street Address:
39 Tinning Street, Brunswick,
Victoria, 3056, Australia

Postal Address:
PO BOX 5084
Moreland West VIC 3055

T +61 3 9222 5522
www.elslighting.com.au

