

# ADLJ110 DOWNLIGHT

## LED RECESSED DOWNLIGHT



- Xicato XTM technology
- Standard CRI 83+ or Artist high CRI 98
- 3000K, 4000K or 2700K upon request
- High quality, mirror finish low glare reflector
- Excellent colour consistency from luminaire to luminaire
- 5 year colour consistency warranty - no colour shift
- L70B0 at 55,000 hours

### XTM 240V – 83+ CRI

| Non Dimmable         | Trailing Edge Dimmable | DALI Dimmable        | CCT   | Lumens | Watts |
|----------------------|------------------------|----------------------|-------|--------|-------|
| ADLJ110.XTM5.8030.61 | ADLJ110.XTM5.8030.63   | ADLJ110.XTM5.8030.66 | 3000K | 1121   | 13    |
| ADLJ110.XTM5.8040.61 | ADLJ110.XTM5.8040.63   | ADLJ110.XTM5.8040.66 | 4000K | 1121   | 13    |

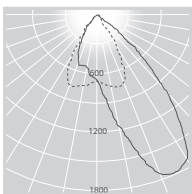
### XTM 240V – 98 CRI

| Non Dimmable         | Trailing Edge Dimmable | DALI Dimmable        | CCT.  | Lumens | Watts |
|----------------------|------------------------|----------------------|-------|--------|-------|
| ADLJ110.XTM7.9530.61 | ADLJ110.XTM7.9530.63   | ADLJ110.XTM7.9530.66 | 3000K | 970    | 16    |
| ADLJ110.XTM7.9540.61 | ADLJ110.XTM7.9540.63   | ADLJ110.XTM7.9540.66 | 4000K | 970    | 16    |

### COLOUR FINISH

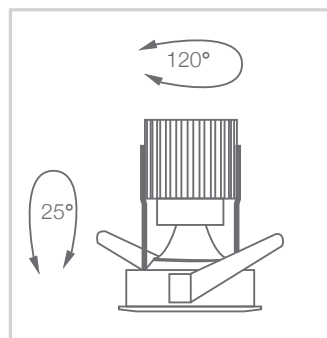
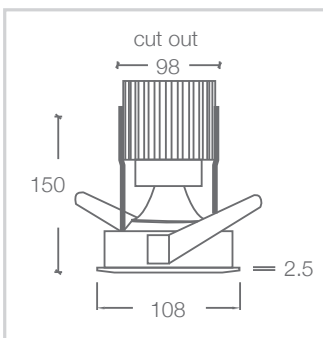


### PHOTOMETRICS



ADLJ110.XTM5.8030.61

### DIMENSIONS



**Street Address:**  
39 Tinning Street, Brunswick,  
Victoria, 3056, Australia

**Postal Address:**  
PO BOX 5084  
Moreland West VIC 3055

T +61 3 9222 5522  
[www.elslighting.com.au](http://www.elslighting.com.au)

