

ICONIC 90 TRACKLIGHT

BLUETOOTH CONTROLLABLE TRACK MOUNTED LED SPOTLIGHT



- Xicato XIM Gen4 technology
- Bluetooth enabled
- Standard CRI 83+ or Artist high CRI 98
- 3000K, 4000K or 2700K upon request
- Machined aluminium body
- High quality, mirror finish low glare reflector
- Excellent colour consistency from luminaire to luminaire
- 5 year colour consistency warranty - no colour shift
- Made in Australia
- Supplied with remote 150w 48v power supply to run max 6 luminaires.
- L70B0F0 at 55,000 hours
- **7 year warranty**

XIM GEN4 BLE 48V – 83+ CRI - LOW OUTPUT

DALI Dimmable	Bluetooth Dimmable	Angle	CCT	Lumens	Watts
ICT90.XBL48.N.83.66	ICT90.XBL48.N.83.67	21°	3000K	1104	12
ICT90.XBL48.N.84.66	ICT90.XBL48.N.84.67	21°	4000K	1104	12
ICT90.XBL48.M.83.66	ICT90.XBL48.M.83.67	35°	3000K	1050	12
ICT90.XBL48.M.84.66	ICT90.XBL48.M.84.67	35°	4000K	1050	12
ICT90.XBL48.W.83.66	ICT90.XBL48.W.83.67	55°	3000K	984	12
ICT90.XBL48.W.84.66	ICT90.XBL48.W.84.67	55°	4000K	984	12

XIM GEN4 BLE 48V – 98 CRI -HIGH OUTPUT

DALI Dimmable	Bluetooth Dimmable	Beam	CCT	Lumens	Watts
ICT90.XB48.N.83.66	ICT90.XB48.N.83.67	21°	3000K	1840	23
ICT90.XB48.N.84.66	ICT90.XB48.N.84.67	21°	4000K	1840	23
ICT90.XB48.M.83.66	ICT90.XB48.M.83.67	35°	3000K	1750	23
ICT90.XB48.M.84.66	ICT90.XB48.M.84.67	35°	4000K	1750	23
ICT90.XB48.W.83.66	ICT90.XB48.W.83.67	55°	3000K	1640	23
ICT90.XB48.W.84.66	ICT90.XB48.W.84.67	55°	4000K	1640	23

XIM GEN4 BLE 48V – 98 CRI - LOW OUTPUT

DALI Dimmable	Bluetooth Dimmable	Beam	CCT	Lumens	Watts
ICT90.XBL48.N.93.66	ICT90.XBL48.N.93.67	21°	3000K	1104	16.5
ICT90.XBL48.N.94.66	ICT90.XBL48.N.94.67	21°	4000K	1104	16.5
ICT90.XBL48.M.93.66	ICT90.XBL48.M.93.67	35°	3000K	1050	16.5
ICT90.XBL48.M.94.66	ICT90.XBL48.M.94.67	35°	4000K	1050	16.5
ICT90.XBL48.W.93.66	ICT90.XBL48.W.93.67	55°	3000K	984	16.5
ICT90.XBL48.W.94.66	ICT90.XBL48.W.94.67	55°	4000K	984	16.5

XIM GEN4 BLE 48V – 98 CRI -HIGH OUTPUT

DALI Dimmable	Bluetooth Dimmable	Beam	CCT	Lumens	Watts
ICT90.XB48.N.93.66	ICT90.XB48.N.93.67	21°	3000K	1472	23
ICT90.XB48.N.94.66	ICT90.XB48.N.94.67	21°	4000K	1472	23
ICT90.XB48.M.93.66	ICT90.XB48.M.93.67	35°	3000K	1400	23
ICT90.XB48.M.94.66	ICT90.XB48.M.94.67	35°	4000K	1400	23
ICT90.XB48.W.93.66	ICT90.XB48.W.93.67	55°	3000K	1312	23
ICT90.XB48.W.94.66	ICT90.XB48.W.94.67	55°	4000K	1312	23

ACCESSORIES



Black baffle
IC66.BF



Honeycomb louvre
IC66.HL



Black Snoot 30mm
IC66.S30



Black Snoot 70mm
IC66.S70



Black Snoot Angle
IC66.SA

ACCESSORIES



Track box for 3 circuit track

Suitable for retrofit applications.

48v power supply located inside track box.

To order track light with box and 3 circuit adaptor use additional part code TL90.TB



Surface mount ceiling rose

To ceiling mount luminaires independently of track

To order ceiling rose add .CR to end of part code

COLOUR FINISH



white - WH



silver - SIL

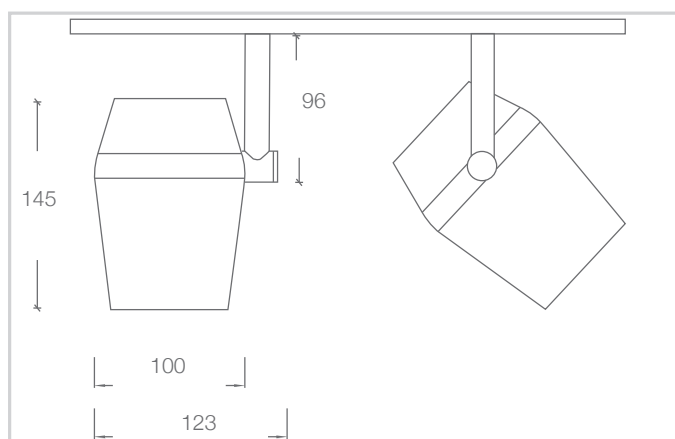


black - BLK

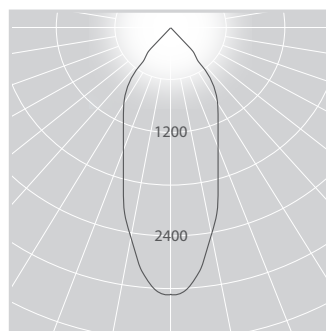


custom powdercoat colour

DIMENSIONS



PHOTOMETRICS



ICT90.XB48.M.83.66

1 CIRCUIT TRACK



See website for
1 circuit track &
accessories

Street Address:

39 Tinning Street, Brunswick,
Victoria, 3056, Australia

Postal Address:

PO BOX 5084
Moreland West VIC 3055

T +61 3 9222 5522

www.elslighting.com.au

