

SPARK 160 DOWNLIGHT

LED RECESSED DOWNLIGHT



- 3000K or 4000K
- High quality, mirror finish low glare reflector
- Very high output 7851 lumens

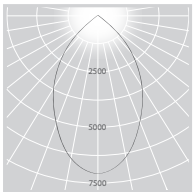
SP160

Non Dimmable	DALI Dimmable	Beam	CCT	Lumens	Watts
SP160.80.W.8030.61	SP160.80.W.8030.66	60°	3000K	7851	75
SP160.80.W.8040.61	SP160.80.W.8040.66	60°	4000K	7851	75

COLOUR FINISH

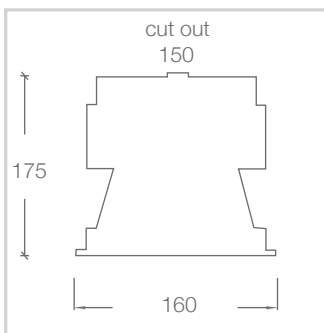
white - WH

PHOTOMETRICS



SP160.80.W.8030.61

DIMENSIONS



Street Address:
39 Tinning Street, Brunswick,
Victoria, 3056, Australia

Postal Address:
PO BOX 5084
Moreland West VIC 3055

T +61 3 9222 5522
www.elslighting.com.au

