

SUMO 260

IP65 WEATHERPROOF, VANDAL RESISTANT LED LIGHT



- Die cast aluminium base powdercoated finish
- Opal polycarbonate lens
- Stainless steel allen head trim screws
- 3000K or 4000K
- IP65 rated

NSM260 LED – OPEN FACE

Non Dimmable	DALI Dimmable	CCT	Lumens	Watts
NSM260.12.3000.61	NSM260.12.3000.66	3000K	660	11
NSM260.12.4000.61	NSM260.12.4000.66	4000K	705	11

NSG260 LED – GRILL FACE

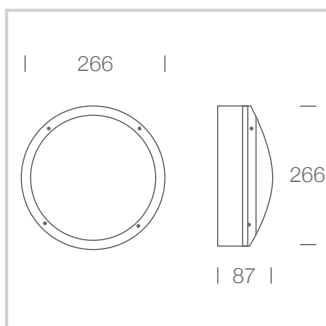
Non Dimmable	DALI Dimmable	CCT	Lumens	Watts
NSG260.12.3000.61	NSG260.12.3000.66	3000K	530	11
NSG260.12.4000.61	NSG260.12.4000.66	4000K	560	11

HOW TO SPECIFY COLOUR

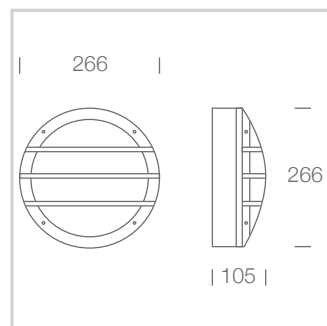


DIMENSIONS

NSM260 LED – OPEN FACE



NSG260 LED – GRILL FACE



Street Address:
39 Tinning Street, Brunswick,
Victoria, 3056, Australia

Postal Address:
PO BOX 5084
Moreland West VIC 3055

T +61 3 9222 5522
www.elslighting.com.au

