

ADL150 LED WALL WASH DOWNLIGHT

LED WALL WASH DOWNLIGHT



- Philips Fortimo technology
- Aluminium wash light reflector
- Thin 2.5mm white polycarbonate trim
- 3000K or 4000K
- Made in Australia
- Ceiling mounted without tools
- L70B10 at 50,000 hours

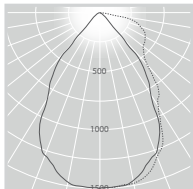
PHILIPS FORTIMO

Non Dimmable	DALI Dimmable	CCT	Lumens	Watts
ADLW150.1100.61.3000	ADLW150.1100.66.3000	3000K	914	11.5
ADLW150.2000.61.3000	ADLW150.2000.66.3000	3000K	1662	20.5
ADLW150.3000.61.3000	ADLW150.3000.66.3000	3000K	2493	29
ADLW150.1100.61.4000	ADLW150.1100.66.4000	4000K	914	10.5
ADLW150.2000.61.4000	ADLW150.2000.66.4000	4000K	1662	18.5
ADLW150.3000.61.4000	ADLW150.3000.66.4000	4000K	2493	27

COLOUR FINISH

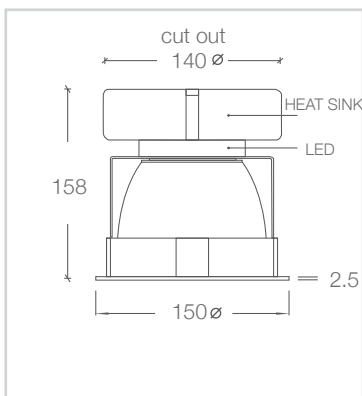


PHOTOMETRICS



ADLW150.2000.63.4000

DIMENSIONS



Street Address:
39 Tinning Street, Brunswick,
Victoria, 3056, Australia

Postal Address:
PO BOX 5084
Moreland West VIC 3055

T +61 3 9222 5522
www.elslighting.com.au

