

ADL90 DOWNLIGHT

LED RECESSED DOWNLIGHT



- Xicato XTM technology
- Standard CRI 83+ or Artist high CRI 98
- 3000K, 4000K or 2700K upon request
- High quality, mirror finish low glare reflector
- Excellent colour consistency from luminaire to luminaire
- 5 year colour consistency warranty - no colour shift
- Thin 2.5mm white polycarbonate trim
- Made in Australia
- L70B0 at 55,000 hours
- Available in a Bluetooth dimmable version refer to Smart Lighting Catalogue

XTM 240V – 83+ CRI – LOW OUTPUT

Non Dimmable	Trailing Edge Dimmable	DALI Dimmable	Beam	CCT	Lumens	Watts
ADL90.XTM5N.8030.61	ADL90.XTM5N.8030.63	ADL90.XTM5N.8030.66	21°	3000K	887	8
ADL90.XTM5N.8040.61	ADL90.XTM5N.8040.63	ADL90.XTM5N.8040.66	21°	4000K	887	8
ADL90.XTM5M.8030.61	ADL90.XTM5M.8030.63	ADL90.XTM5M.8030.66	35°	3000K	795	8
ADL90.XTM5M.8040.61	ADL90.XTM5M.8040.63	ADL90.XTM5M.8040.66	35°	4000K	795	8
ADL90.XTM5W.8030.61	ADL90.XTM5W.8030.63	ADL90.XTM5W.8030.66	55°	3000K	797	8
ADL90.XTM5W.8040.61	ADL90.XTM5W.8040.63	ADL90.XTM5W.8040.66	55°	4000K	797	8

XTM 240V – 83+ CRI – HIGH OUTPUT

Non Dimmable	Trailing Edge Dimmable	DALI Dimmable	Beam	CCT	Lumens	Watts
ADL90.XTM7N.8030.61	ADL90.XTM7N.8030.63	ADL90.XTM7N.8030.66	21°	3000K	1198	12.5
ADL90.XTM7N.8040.61	ADL90.XTM7N.8040.63	ADL90.XTM7N.8040.66	21°	4000K	1198	12.5
ADL90.XTM7M.8030.61	ADL90.XTM7M.8030.63	ADL90.XTM7M.8030.66	35°	3000K	1074	12.5
ADL90.XTM7M.8040.61	ADL90.XTM7M.8040.63	ADL90.XTM7M.8040.66	35°	4000K	1074	12.5
ADL90.XTM7W.8030.61	ADL90.XTM7W.8030.63	ADL90.XTM7W.8030.66	55°	3000K	1065	12.5
ADL90.XTM7W.8040.61	ADL90.XTM7W.8040.63	ADL90.XTM7W.8040.66	55°	4000K	1065	12.5

XTM 240V – 98 CRI – LOW OUTPUT

Non Dimmable	Trailing Edge Dimmable	DALI Dimmable	Beam	CCT	Lumens	Watts
ADL90.XTM5N.9530.61	ADL90.XTM5N.9530.63	ADL90.XTM5N.9530.66	21°	3000K	878	11.5
ADL90.XTM5N.9540.61	ADL90.XTM5N.9540.63	ADL90.XTM5N.9540.66	21°	4000K	878	11.5
ADL90.XTM5M.9530.61	ADL90.XTM5M.9530.63	ADL90.XTM5M.9530.66	35°	3000K	836	11.5
ADL90.XTM5M.9540.61	ADL90.XTM5M.9540.63	ADL90.XTM5M.9540.66	35°	4000K	836	11.5
ADL90.XTM5W.9530.61	ADL90.XTM5W.9530.63	ADL90.XTM5W.9530.66	55°	3000K	967	11.5
ADL90.XTM5W.9540.61	ADL90.XTM5W.9540.63	ADL90.XTM5W.9540.66	55°	4000K	967	11.5

XTM 240V – 98 CRI – HIGH OUTPUT

Non Dimmable	Trailing Edge Dimmable	DALI Dimmable	Beam	CCT	Lumens	Watts
ADL90.XTM7N.9530.61	ADL90.XTM7N.9530.63	ADL90.XTM7N.9530.66	21°	3000K	1198	16.5
ADL90.XTM7N.9540.61	ADL90.XTM7N.9540.63	ADL90.XTM7N.9540.66	21°	4000K	1198	16.5
ADL90.XTM7M.9530.61	ADL90.XTM7M.9530.63	ADL90.XTM7M.9530.66	35°	3000K	1137	16.5
ADL90.XTM7M.9540.61	ADL90.XTM7M.9540.63	ADL90.XTM7M.9540.66	35°	4000K	1137	16.5
ADL90.XTM7W.9530.61	ADL90.XTM7W.9530.63	ADL90.XTM7W.9530.66	55°	3000K	1111	16.5
ADL90.XTM7W.9540.61	ADL90.XTM7W.9540.63	ADL90.XTM7W.9540.66	55°	4000K	1111	16.5

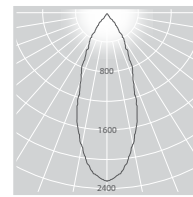
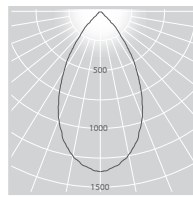
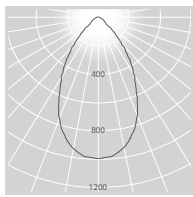
ACCESSORIES - IPX4

To specify the downlight as IPX4 add "IP" to the end of the part code IPX4 rating is from below the ceiling only and uses a clear lens

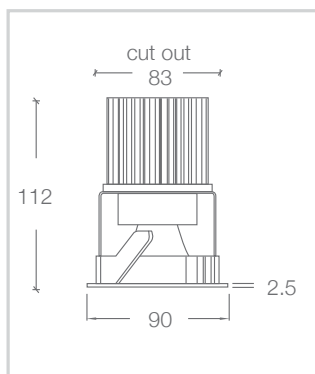
COLOUR FINISH



PHOTOMETRICS



DIMENSIONS - XTM



Street Address:
39 Tinning Street, Brunswick,
Victoria, 3056, Australia

Postal Address:
PO BOX 5084
Moreland West VIC 3055

T +61 3 9222 5522
www.elslighting.com.au

