

# DISPLAY SPOT 110 DOWNLIGHT

LED ADJUSTABLE RECESSED DOWNLIGHT



- XICATO XTM technology
- Rotatable and adjustable
- Die cast aluminium trim, powdercoated white
- Aluminium reflector and internal lens
- 3000K, 4000K or 2700K upon request
- Ceiling mounted without tools
- Standard CRI 83+ or Artist high CRI 98
- Excellent colour consistency from luminaire to luminaire
- 5 year colour consistency warranty
- L70B0 @ 55,000 hours
- Available in a Bluetooth dimmable version refer to Smart Lighting Catalogue

## XTM 240V – 83+ CRI – LOW OUTPUT

Non Dimmable	DALI Dimmable	Beam	CCT	Lumens	Watts
DS110.XTM5.N.8030.61	DS110.XTM5.N.8030.66	27°	3000K	695	8.5
DS110.XTM5.N.8040.61	DS110.XTM5.N.8040.66	27°	4000K	695	8.5
DS110.XTM5.M.8030.61	DS110.XTM5.M.8030.66	35°	3000K	755	8.5
DS110.XTM5.M.8040.61	DS110.XTM5.M.8040.66	35°	4000K	755	8.5
DS110.XTM5.W.8030.61	DS110.XTM5.W.8030.66	44°	3000K	705	8.5
DS110.XTM5.W.8040.61	VS110.XTM5.W.8040.66	44°	4000K	705	8.5

## XTM 240V – 83+ CRI – HIGH OUTPUT

Non Dimmable	DALI Dimmable	Beam	CCT	Lumens	Watts
DS110.XTM7.N.8030.61	DS110.XTM7.N.8030.66	27°	3000K	934	12
DS110.XTM7.N.8040.61	DS110.XTM7.N.8040.66	27°	4000K	934	12
DS110.XTM7.M.8030.61	DS110.XTM7.M.8030.66	35°	3000K	1020	12
DS110.XTM7.M.8040.61	DS110.XTM7.M.8040.66	35°	4000K	1020	12
DS110.XTM7.W.8030.61	DS110.XTM7.W.8030.66	44°	3000K	954	12
DS110.XTM7.W.8040.61	DS110.XTM7.W.8040.66	44°	4000K	954	12

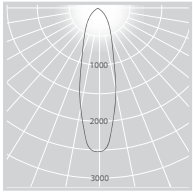
## XTM 240V – 98 CRI – LOW OUTPUT

Non Dimmable	DALI Dimmable	Beam	CCT	Lumens	Watts
DS110.XTM5.N.9530.61	DS110.XTM5.N.9530.66	27°	3000K	695	12
DS110.XTM5.N.9540.61	DS110.XTM5.N.9540.66	27°	4000K	695	12
DS110.XTM5.M.9530.61	DS110.XTM5.M.9530.66	35°	3000K	755	12
DS110.XTM5.M.9540.61	DS110.XTM5.M.9540.66	35°	4000K	755	12
DS110.XTM5.W.9530.61	DS110.XTM5.W.9530.66	44°	3000K	705	12
DS110.XTM5.W.9540.61	DS110.XTM5.W.9540.66	44°	4000K	705	12

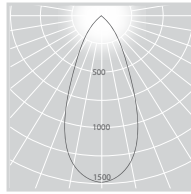
## XTM 240V – 98 CRI – HIGH OUTPUT

Non Dimmable	DALI Dimmable	Beam	CCT	Lumens	Watts
DS110.XTM7.N.9530.61	DS110.XTM7.N.9530.66	27°	3000K	934	17
DS110.XTM7.N.9540.61	DS110.XTM7.N.9540.66	27°	4000K	934	17
DS110.XTM7.M.9530.61	DS110.XTM7.M.9530.66	35°	3000K	1020	17
DS110.XTM7.M.9540.61	DS110.XTM7.M.9540.66	35°	4000K	1020	17
DS110.XTM7.W.9530.61	DS110.XTM7.W.9530.66	44°	3000K	954	17
DS110.XTM7.W.9540.61	DS110.XTM7.W.9540.66	44°	4000K	954	17

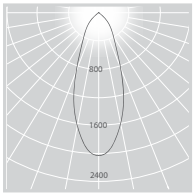
## PHOTOMETRICS



DS110.XTM7.N.8030.61



DS110.XTM7.W.8030.61



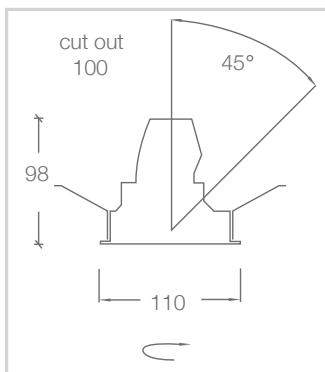
DS110.XTM7.M.8030.61

## COLOUR FINISH



white - WH

## DIMENSIONS



**Street Address:**  
39 Tinning Street, Brunswick,  
Victoria, 3056, Australia

**Postal Address:**  
PO BOX 5084  
Moreland West VIC 3055

T +61 3 9222 5522  
[www.elslighting.com.au](http://www.elslighting.com.au)

