

DISPLAY SPOT 135

BLUETOOTH ENABLED ADJUSTABLE LED DOWNLIGHT



- XICATO XTM or XIM Gen 4 LED technology
- Bluetooth enabled
- Rotatable and adjustable
- Die cast aluminium trim, powdercoated white
- Aluminium reflector and internal lens
- 3000K, 4000K or 2700K upon request
- Ceiling mounted without tools
- Standard CRI 83+ or Artist high CRI 98
- Excellent colour consistency from luminaire to luminaire
- 5 year colour consistency warranty - no colour shift
- Supplied with 48v remote power supply
- L70B0F0 @ 55,000 hours

XIM GEN4 BLE 48V – 83+ CRI - LOW OUTPUT

DALI Dimmable	Bluetooth Dimmable	Beam	CCT	Lumens	Watts
DS135.XBL48.N.8030.66	DS135.XBL48.N.8030.67	23°	3000K	1300	16
DS135.XBL48.N.8040.66	DS135.XBL48.N.8040.67	23°	4000K	1300	16
DS135.XBL48.W.8030.66	DS135.XBL48.W.8030.67	45°	3000K	1310	16
DS135.XBL48.W.8040.66	DS135.XBL48.W.8040.67	45°	4000K	1310	16

XIM GEN4 BLE 48V – 83+ CRI - HIGH OUTPUT

DALI Dimmable	Bluetooth Dimmable	Beam	CCT	Lumens	Watts
DS135.XB48.N.8030.66	DS135.XB48.N.8030.67	23°	3000K	1856	23
DS135.XB48.N.8040.66	DS135.XB48.N.8040.67	23°	4000K	1856	23
DS135.XB48.W.8030.66	DS135.XB48.W.8030.67	45°	3000K	1877	23
DS135.XB48.W.8040.66	DS135.XB48.W.8040.67	45°	4000K	1877	23

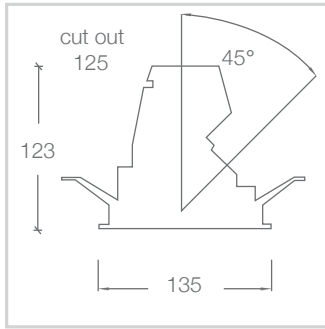
XIM GEN4 BLE 48V – 98 CRI - LOW OUTPUT

DALI Dimmable	Bluetooth Dimmable	Beam	CCT	Lumens	Watts
DS135.XBL48.N.9530.66	DS135.XBL48.N.9530.67	15°	3000K	1300	21
DS135.XBL48.N.9540.66	DS135.XBL48.N.9540.67	15°	4000K	1300	21
DS135.XBL48.W.9530.66	DS135.XBL48.W.9530.67	40°	3000K	1310	21
DS135.XBL48.W.9540.66	DS135.XBL48.W.9540.67	40°	4000K	1310	21

XIM GEN4 BLE 48V – 98 CRI - HIGH OUTPUT

DALI Dimmable	Bluetooth Dimmable	Beam	CCT	Lumens	Watts
DS135.XB48.N.9530.66	DS135.XB48.N.9530.67	15°	3000K	1856	29.5
DS135.XB48.N.9540.66	DS135.XB48.N.9540.67	15°	4000K	1856	29.5
DS135.XB48.W.9530.66	DS135.XB48.W.9530.67	40°	3000K	1856	29.5
DS135.XB48.W.9540.66	DS135.XB48.W.9540.67	40°	4000K	1856	29.5

DIMENSIONS



Street Address:
39 Tinning Street, Brunswick,
Victoria, 3056, Australia

Postal Address:
PO BOX 5084
Moreland West VIC 3055

T +61 3 9222 5522
www.elslighting.com.au

