

DISPLAY SPOT 160 DOWNLIGHT

LED ADJUSTABLE RECESSED DOWNLIGHT



- XICATO XTM technology
- Rotatable and adjustable
- Die cast aluminium trim, powdercoated white
- Aluminium reflector and internal lens
- 3000K, 4000K or 2700K upon request
- Ceiling mounted without tools
- Standard CRI 83+ or Artist high CRI 98
- Excellent colour consistency from luminaire to luminaire
- 5 year colour consistency warranty
- L70B0 @ 55,000 hours
- Available in a Bluetooth dimmable version refer to Smart Lighting Catalogue

XTM 240V – 83+ CRI – LOW OUTPUT

Non Dimmable	DALI Dimmable	Beam	CCT	Lumens	Watts
DS160.XTM10.N.8030.61	DS160.XTM10.N.8030.66	18°	3000K	2600	32
DS160.XTM10.N.8040.61	DS160.XTM10.N.8040.66	18°	4000K	2600	32
DS160.XTM10.M.8030.61	DS160.XTM10.M.8030.66	28°	3000K	2620	32
DS160.XTM10.M.8040.61	DS160.XTM10.M.8040.66	28°	4000K	2620	32
DS160.XTM10.W.8030.61	DS160.XTM10.W.8030.66	37°	3000K	2620	32
DS160.XTM10.W.8040.61	DS160.XTM10.W.8040.66	37°	4000K	2620	32

XTM 240V – 83+ CRI – HIGH OUTPUT

Non Dimmable	DALI Dimmable	Beam	CCT	Lumens	Watts
DS160.XTM14.N.8030.61	DS160.XTM14.N.8030.66	18°	3000K	3385	44
DS160.XTM14.N.8040.61	DS160.XTM14.N.8040.66	18°	4000K	3385	44
DS160.XTM14.M.8030.61	DS160.XTM14.M.8030.66	28°	3000K	3403	44
DS160.XTM14.M.8040.61	DS160.XTM14.M.8040.66	28°	4000K	3403	44
DS160.XTM14.W.8030.61	DS160.XTM14.W.8030.66	37°	3000K	3404	44
DS160.XTM14.W.8040.61	DS160.XTM14.W.8040.66	37°	4000K	3404	44

XTM 240V – 98 – LOW OUTPUT

Non Dimmable	DALI Dimmable	Beam	CCT	Lumens	Watts
DS160.XTM7.N.9530.61	DS160.XTM7.N.9530.66	18°	3000K	1810	25
DS160.XTM7.N.9540.61	DS160.XTM7.N.9540.66	18°	4000K	1810	25
DS160.XTM7.M.9530.61	DS160.XTM7.M.9530.66	28°	3000K	1820	25
DS160.XTM7.M.9540.61	DS160.XTM7.M.9540.66	28°	4000K	1820	25
DS160.XTM7.W.9530.61	DS160.XTM7.W.9530.66	37°	3000K	1820	25
DS160.XTM7.W.9540.61	DS160.XTM7.W.9540.66	37°	4000K	1820	25

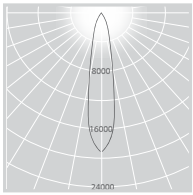
XTM 240V – 98 – HIGH OUTPUT

Non Dimmable	DALI Dimmable	Beam	CCT	Lumens	Watts
DS160.XTM10.N.9530.61	DS160.XTM10.N.9530.66	18°	3000K	2538	38
DS160.XTM10.N.9540.61	DS160.XTM10.N.9540.66	18°	4000K	2538	38
DS160.XTM10.M.9530.61	DS160.XTM10.M.9530.66	28°	3000K	2550	38
DS160.XTM10.M.9540.61	DS160.XTM10.M.9540.66	28°	4000K	2550	38
DS160.XTM10.W.9530.61	DS160.XTM10.W.9530.66	37°	3000K	2550	38
DS160.XTM10.W.9540.61	DS160.XTM10.W.9540.66	37°	4000K	2550	38

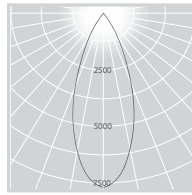
COLOUR FINISH

 white - WH

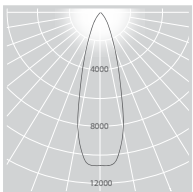
PHOTOMETRICS



DS160.XTM14.N.8030.61

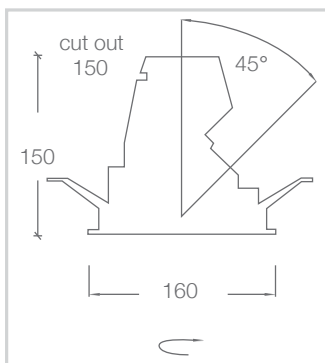


DS160.XTM14.W.8030.61



DS160.XTM14.M.8030.61

DIMENSIONS



Street Address:
39 Tinning Street, Brunswick,
Victoria, 3056, Australia

Postal Address:
PO BOX 5084
Moreland West VIC 3055

T +61 3 9222 5522
www.elslighting.com.au

