

# ICONIC 66 TRACKLIGHT

BLUETOOTH ENABLED TRACK MOUNTED LED SPOTLIGHT



- Xicato XIM Gen4 technology
- Bluetooth enabled
- Standard CRI 83+ or Artist high CRI 98
- 3000K, 4000K or 2700K upon request
- Machined aluminium body
- High quality, mirror finish low glare reflector
- Made in Australia
- Excellent colour consistency from luminaire to luminaire
- 5 year colour consistency warranty - no colour shift
- Supplied with remote 150w 48v power supply to run max. 8 luminaires.
- L70B0 at 55,000 hours

## XIM GEN4 BLE 48V – 83+ CRI - LOW OUTPUT

DALI Dimmable	Bluetooth Dimmable	Beam	CCT	Lumens	Watts
ICT66.XBL48.N.83.66	ICT66.XBL48.N.83.67	28°	3000K	690	8.5
ICT66.XBL48.N.84.66	ICT66.XBL48.N.84.67	28°	4000K	690	8.5
ICT66.XBL48.M.83.66	ICT66.XBL48.M.83.67	36°	3000K	685	8.5
ICT66.XBL48.M.84.66	ICT66.XBL48.M.84.67	36°	4000K	685	8.5
ICT66.XBL48.W.83.66	ICT66.XBL48.W.83.67	55°	3000K	655	8.5
ICT66.XBL48.W.84.66	ICT66.XBL48.W.84.67	55°	4000K	655	8.5

## XIM GEN4 BLE 48V – 83+ CRI - HIGH OUTPUT

DALI Dimmable	Bluetooth Dimmable	Beam	CCT	Lumens	Watts
ICT66.XB48.N.83.66	ICT66.XB48.N.83.67	28°	3000K	1150	14
ICT66.XB48.N.84.66	ICT66.XB48.N.84.67	28°	4000K	1150	14
ICT66.XB48.M.83.66	ICT66.XB48.M.83.67	36°	3000K	1142	14
ICT66.XB48.M.84.66	ICT66.XB48.M.84.67	36°	4000K	1142	14
ICT66.XB48.W.83.66	ICT66.XB48.W.83.67	55°	3000K	1092	14
ICT66.XB48.W.84.66	ICT66.XB48.W.84.67	55°	4000K	1092	14

## XIM GEN4 BLE 48V – 98 CRI - LOW OUTPUT

DALI Dimmable	Bluetooth Dimmable	Beam	CCT	Lumens	Watts
ICT66.XBL48.N.93.66	ICT66.XBL48.N.93.67	28°	3000K	678	11
ICT66.XBL48.N.94.66	ICT66.XBL48.N.94.67	28°	4000K	678	11
ICT66.XBL48.M.93.66	ICT66.XBL48.M.93.67	36°	3000K	685	11
ICT66.XBL48.M.94.66	ICT66.XBL48.M.94.67	36°	4000K	685	11
ICT66.XBL48.W.93.66	ICT66.XBL48.W.93.67	55°	3000K	655	11
ICT66.XBL48.W.94.66	ICT66.XBL48.W.94.67	55°	4000K	655	11

## XIM GEN4 BLE 48V – 98 CRI - HIGH OUTPUT

DALI Dimmable	Bluetooth Dimmable	Beam	CCT	Lumens	Watts
ICT66.XB48.N.93.66	ICT66.XB48.N.93.67	28°	3000K	926	16
ICT66.XB48.N.94.66	ICT66.XB48.N.94.67	28°	4000K	926	16
ICT66.XB48.M.93.66	ICT66.XB48.M.93.67	36°	3000K	905	16
ICT66.XB48.M.94.66	ICT66.XB48.M.94.67	36°	4000K	905	16
ICT66.XB48.W.93.66	ICT66.XB48.W.93.67	55°	3000K	895	16
ICT66.XB48.W.94.66	ICT66.XB48.W.94.67	55°	4000K	895	16

## ACCESSORIES



### Track box for 3 circuit track

Suitable for retrofit applications.

48v power supply located inside track box.

To order track light with box and 3 circuit adaptor use additional part code TL66.TB



### Surface mount ceiling rose

To ceiling mount luminaires independently of track

To order ceiling rose add .CR to end of part code

## COLOUR FINISH



white - WH



silver - SIL



black - BLK



custom powdercoat colour

## ACCESSORIES



Black baffle  
IC66.BF



Honeycomb louvre  
IC66.HL



Black Snoot 30mm  
IC66.S30

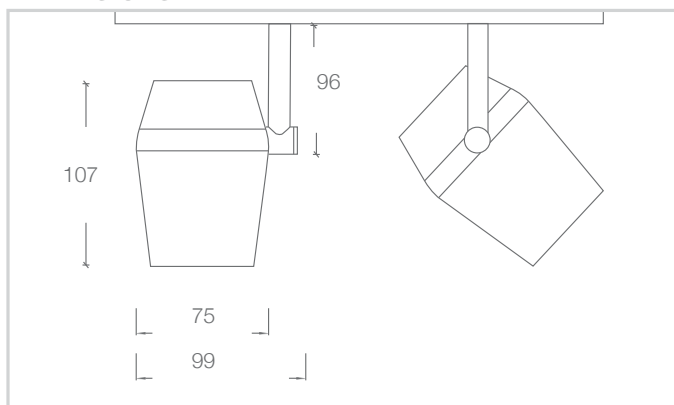


Black Snoot 70mm  
IC66.S70

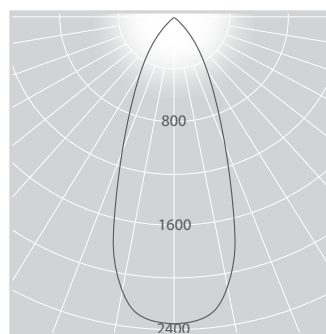


Black Snoot Angle  
IC66.SA

## DIMENSIONS



## PHOTOMETRICS



ICT66.XB48.M.83.66

## 1 CIRCUIT TRACK



See website for  
1 circuit track &  
accessories

### Street Address:

39 Tinning Street, Brunswick,  
Victoria, 3056, Australia

### Postal Address:

PO BOX 5084  
Moreland West VIC 3055

T +61 3 9222 5522

[www.elslighting.com.au](http://www.elslighting.com.au)

