

# ADL185 DOWNLIGHT

## LED RECESSED DOWNLIGHT



- Philips Fortimo technology
- Standard CRI 83+
- 3000K or 4000K
- High quality, mirror finish low glare reflector
- Made in Australia
- L70B10 at 50,000 hours

### PHILIPS FORTIMO

Non Dimmable	DALI Dimmable	Beam	CCT	Lumens	Watts
ADL185.1100.61.3000	ADL185.1100.66.3000	90°	3000K	1060	11.5
ADL185.2000.61.3000	ADL185.2000.66.3000	90°	3000K	1930	20
ADL185.3000.61.3000	ADL185.3000.66.3000	90°	3000K	2895	29
ADL185.5000.61.3000	ADL185.5000.66.3000	90°	3000K	4828	51
ADL185.1100.61.4000	ADL185.1100.66.4000	90°	4000K	1060	10.5
ADL185.2000.61.4000	ADL185.2000.66.4000	90°	4000K	1930	18.5
ADL185.3000.61.4000	ADL185.3000.66.4000	90°	4000K	2895	27
ADL185.5000.61.4000	ADL185.5000.66.4000	90°	4000K	4828	46

### OPTIONAL ACCESSORIES

Frosted glass inlay IP44\*\*  
Order code - SDL185-G4



Vandal resistant lens  
Order code - SDL185-VR



Clear glass inlay IP44\*\*  
Order code - SDL185-G5

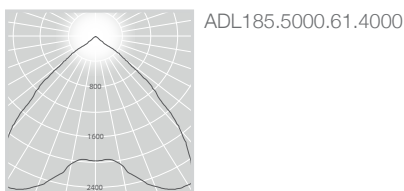


\*\*IP Rating is from below the ceiling only

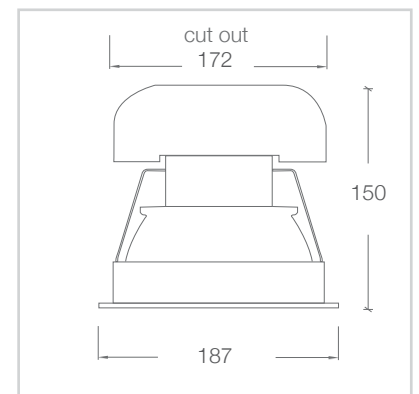
### COLOUR FINISH



### PHOTOMETRICS



### DIMENSIONS



**Street Address:**  
39 Tinning Street, Brunswick,  
Victoria, 3056, Australia

**Postal Address:**  
PO BOX 5084  
Moreland West VIC 3055

T +61 3 9222 5522  
[www.elslighting.com.au](http://www.elslighting.com.au)

