

SML330 CEILING LIGHT

DIFFUSED LED CEILING LIGHT



- 4 outputs available
- 3000K or 4000K
- CRI >80
- Die cast aluminium base powdercoated
- Injection moulded polycarbonate lens
- Available in white, black or silver base (custom colours available upon request)
- Made in Australia
- IPX4 version available

SML330 LED

Non Dimmable	Trailing Edge Dimmable	DALI Dimmable	CCT	Lumens	Watts	Lm/W
SML330.14.3000.61	SML330.14.3000.63	SML330.14.3000.66	3000K	1350	14	96lm/w
SML330.14.4000.61	SML330.14.4000.63	SML330.14.4000.66	4000K	1485	14	106lm/w
SML330.20.3000.61	SML330.20.3000.63	SML330.20.3000.66	3000K	1936	20	96lm/w
SML330.20.4000.61	SML330.20.4000.63	SML330.20.4000.66	4000K	2129	20	106lm/w
SML330.27.3000.61	SML330.27.3000.63	SML330.27.3000.66	3000K	2682	27	99lm/w
SML330.27.4000.61	SML330.27.4000.63	SML330.27.4000.66	4000K	2950	27	109lm/w
SML330.35.3000.61	SML330.35.3000.63	SML330.35.3000.66	3000K	3285	35	93lm/w
SML330.35.4000.61	SML330.35.4000.63	SML330.35.4000.66	4000K	3613	35	103lm/w

IPX4 VERSION

To specify the product as IPX4 add .IP to the end of the part code

COLOUR FINISH



white - WH



silver - SIL

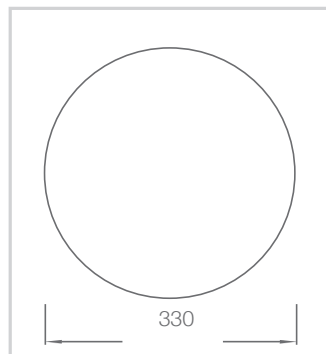
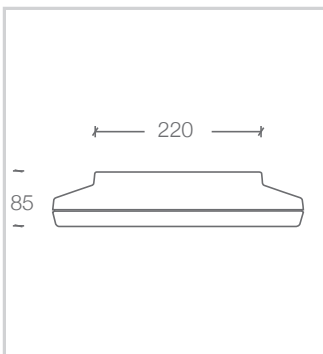


black - BLK



custom powdercoat colour

DIMENSIONS



Street Address:
39TinningStreet,Brunswick,
Victoria, 3056, Australia

Postal Address:
PO BOX 5084
MorelandWestVIC3055

T +61 3 9222 5522
www.elsighting.com.au

