

# DISPLAY TRACKLIGHT ADVANCED

## LED TRACKLIGHT



- Xicato XTM technology
- Standard CRI 83+ or Artist high CRI 98
- 3000K, 4000K or 2700K upon request
- Machined aluminium body
- High quality, low glare reflector
- Excellent colour consistency from luminaire to luminaire
- 5 year colour consistency warranty - no colour shift
- To suit 3 circuit track
- L70B0 at 55,000 hours
- **7 year warranty**

### XTM 240V – 83+ CRI - LOW OUTPUT

Non Dimmable	DALI Dimmable	Beam	CCT	Lumens	Watts
DT106.XTM7.N.83.61	DT106.XTM7.N.83.66	17°	3000K	1627	20
DT106.XTM7.N.84.61	DT106.XTM7.N.84.66	17°	4000K	1627	20
DT106.XTM7.M.83.61	DT106.XTM7.M.83.66	30°	3000K	1605	20
DT106.XTM7.M.84.61	DT106.XTM7.M.84.66	30°	4000K	1605	20
DT106.XTM7.W.83.61	DT106.XTM7.W.83.66	55°	3000K	1595	20
DT106.XTM7.W.84.61	DT106.XTM7.W.84.66	55°	4000K	1595	20

### XTM 240V – 83+ CRI - HIGH OUTPUT

Non Dimmable	DALI Dimmable	Beam	CCT	Lumens	Watts
DT106.XTM10.N.83.61	DT106.XTM10.N.83.66	17°	3000K	2440	33
DT106.XTM10.N.84.61	DT106.XTM10.N.84.66	17°	4000K	2440	33
DT106.XTM10.M.83.61	DT106.XTM10.M.83.66	30°	3000K	2440	33
DT106.XTM10.M.84.61	DT106.XTM10.M.84.66	30°	4000K	2440	33
DT106.XTM10.W.83.61	DT106.XTM10.W.83.66	55°	3000K	2392	33
DT106.XTM10.W.84.61	DT106.XTM10.W.84.66	55°	4000K	2392	33

### XTM 240V – 98 CRI - LOW OUTPUT

Non Dimmable	DALI Dimmable	Beam	CCT	Lumens	Watts
DT106.XTM7.N.93.63	DT106.XTM7.N.93.66	17°	3000K	1627	26
DT106.XTM7.N.94.63	DT106.XTM7.N.94.66	17°	4000K	1627	26
DT106.XTM7.M.93.63	DT106.XTM7.M.93.66	30°	3000K	1605	26
DT106.XTM7.M.94.63	DT106.XTM7.M.94.66	30°	4000K	1605	26
DT106.XTM7.W.93.63	DT106.XTM7.W.93.66	55°	3000K	1595	26
DT106.XTM7.W.94.63	DT106.XTM7.W.94.66	55°	4000K	1595	26

### XTM 240V – 98 CRI - HIGH OUTPUT

Non Dimmable	DALI Dimmable	Beam	CCT	Lumens	Watts
DT106.XTM10.N.93.63	DT106.XTM10.N.93.66	17°	3000K	2440	39
DT106.XTM10.N.94.63	DT106.XTM10.N.94.66	17°	4000K	2440	39
DT106.XTM10.M.93.63	DT106.XTM10.M.93.66	30°	3000K	2440	39
DT106.XTM10.M.94.63	DT106.XTM10.M.94.66	30°	4000K	2440	39
DT106.XTM10.W.93.63	DT106.XTM10.W.93.66	55°	3000K	2392	39
DT106.XTM10.W.94.63	DT106.XTM10.W.94.66	55°	4000K	2392	39

## COLOUR FINISH

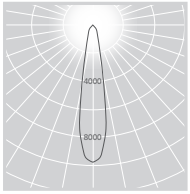


white - WH

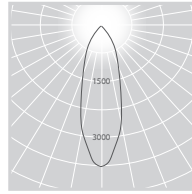


black - BLK

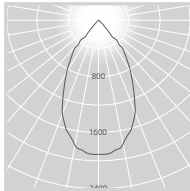
## PHOTOMETRICS



DT106.XTM7.N.83.61

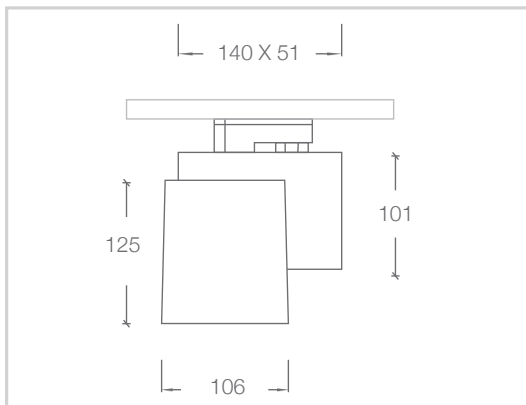


DT106.XTM7.M.83.61



DT106.XTM7.W.83.61

## DIMENSIONS



**Street Address:**  
39 Tinning Street, Brunswick,  
Victoria, 3056, Australia

**Postal Address:**  
PO BOX 5084  
Moreland West VIC 3055

T +61 3 9222 5522  
[www.elslighting.com.au](http://www.elslighting.com.au)

