

CIRCULITE 180 SUSPENDED

Premium suspended luminaire



Product Description

A new addition to the popular Circulite Range, the Circulite 180 Suspended is one of the most versatile luminaires designed and made by ELS. Simple, clean lines of the circular presentation make it a beautiful option where lighting performance is as important as the room aesthetic.

The Circulite 180 Suspended is available with Variable Output Technology and is finished in ELS standard powdercoat colours or can be finished as per specification.

Product Details

Absolute luminous flux	757lm - 1100lm
System watts	9W / 13W
Luminaire efficacy	up to 87lm/W
Colour deviation	3 SDCM
Colour rendition Index	>90
Correlated colour temperature	3000K / 4000K
Lumen maintenance	L80B10 72,000hours
Dimming method	Trailing edge / DALI / Casambi
Lens	Opal
Luminaire housing	Aluminium
Luminaire housing colour	Black / White / Silver / Custom
Suspension	1000mm rod suspended
Country of origin	Australia

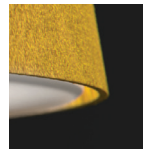
CUSTOM FINISHES AVAILABLE



CUSTOM
POWDERCOAT
COLOUR



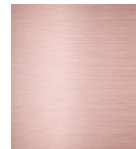
HAND
TURNED
WOOD



FLOCKED (VELVET)
VARIOUS
COLOURS



PLATED
GOLD



PLATED
ROSE GOLD



PLATED
BRASS

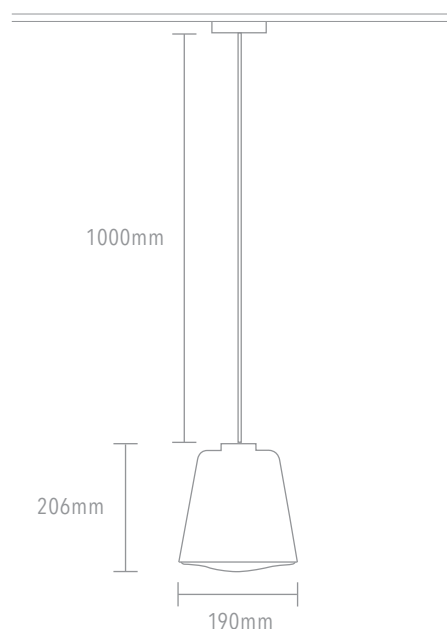


PLATED
CHROME

Product Variants

TECHNICAL SPECIFICATIONS

NON DIMMABLE	TRAILING EDGE DIMMABLE	DALI DIMMABLE	CASAMBI DIMMABLE	CCT	LUMENS	WATTS
CL180.250.93.61.P	CL180.250.93.63.P	CL180.250.93.66.P	CL180.250.93.68.P	3000K	757	9
CL180.250.94.61.P	CL180.250.94.63.P	CL180.250.94.66.P	CL180.250.94.68.P	4000K	789	9
CL180.350.93.61.P	CL180.350.93.63.P	CL180.350.93.66.P	CL180.350.93.68.P	3000K	1055	13
CL180.350.94.61.P	CL180.350.94.63.P	CL180.350.94.66.P	CL180.350.94.68.P	4000K	1100	13



OTHER LUMINAIRES WITHIN THE FAMILY

- CL180 Surface Mounted
- CL400 Surface Mounted
- CL400 Suspended
- CL550 Surface Mounted
- CL550 Suspended
- CL840 Surface Mounted
- CL840 Suspended



Australian made like nothing ELS^e.