

# FLEX ADJUSTABLE 50 | REFLECTOR

Premium adjustable downlight with reflector technology



## Product Description

Flex by name and Flex by design. The Flex Adjustable 50 luminaire is the most versatile high performance spotlight luminaire available in the ELS range.

Presenting a sleek minimalist style, the Flex Adjustable 50 features optics that ensure exceptional glare control a cornerstone of ELS's design philosophy.

It is available with variable output technology to optimise performance to exact project requirements.

## Product Details

Absolute luminous flux	465lm - 1250lm
System watts	6W / 8W / 10W / 12W / 14W
Luminaire efficacy	up to 95lm/W
Colour deviation	2 SDCM
Colour rendition Index	>95
Correlated colour temperature	3000K / 4000K
Lumen maintenance	L90B10 90,000hours
Dimming method	Trailing Edge / DALI / Casambi
Optic	Aluminium reflector
Beam angle	28° / 43° / 43°x63°
Luminaire housing	Aluminium
Luminaire housing colour	Black / White / Silver / Custom
Luminaire baffle colour	Black
Custom body finishes	Custom powdercoat colour
Country of origin	Australia

## CUSTOM LUMINAIRE MODIFICATIONS

2700K and 3500K colour temperature  
 2700K - 6500K tuneable white  
 IPX4

## OPTIONAL ACCESSORIES



SECONDARY LINEAR LENS



SPECIALTY COLOUR FILTERS



HONEYCOMB LOUVRE

## CUSTOM REFLECTOR FINISHES



GOLD



CHAMPAGNE



BRASS



BLACK



WHITE

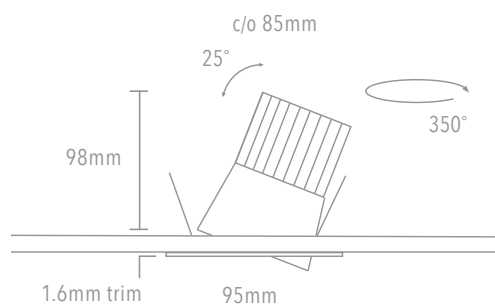
## Product Variants

### TECHNICAL SPECIFICATIONS

NON DIMMABLE	TRAILING EDGE DIMMABLE	DALI DIMMABLE	CASAMBI DIMMABLE	BEAM ANGLE	CCT	LUMENS	WATTS
FAR50.150.28.93.61	FAR50.150.28.93.63	FAR50.150.28.93.66	FAR50.150.28.93.68	28°	3000K	505	6
FAR50.150.28.94.61	FAR50.150.28.94.63	FAR50.150.28.94.66	FAR50.150.28.94.68	28°	4000K	585	6
FAR50.150.43.93.61	FAR50.150.43.93.63	FAR50.150.43.93.66	FAR50.150.43.93.68	43°	3000K	465	6
FAR50.150.43.94.61	FAR50.150.43.94.63	FAR50.150.43.94.66	FAR50.150.43.94.68	43°	4000K	520	6
FAR50.150.OV.93.61	FAR50.150.OV.93.63	FAR50.150.OV.93.66	FAR50.150.OV.93.68	43° x 63°	3000K	466	6
FAR50.150.OV.94.61	FAR50.150.OV.94.63	FAR50.150.OV.94.66	FAR50.150.OV.94.68	43° x 63°	4000K	507	6
FAR50.200.28.93.61	FAR50.200.28.93.63	FAR50.200.28.93.66	FAR50.200.28.93.68	28°	3000K	703	8
FAR50.200.28.94.61	FAR50.200.28.94.63	FAR50.200.28.94.66	FAR50.200.28.94.68	28°	4000K	769	8
FAR50.200.43.93.61	FAR50.200.43.93.63	FAR50.200.43.93.66	FAR50.200.43.93.68	43°	3000K	659	8
FAR50.200.43.94.61	FAR50.200.43.94.63	FAR50.200.43.94.66	FAR50.200.43.94.68	43°	4000K	721	8
FAR50.200.OV.93.61	FAR50.200.OV.93.63	FAR50.200.OV.93.66	FAR50.200.OV.93.68	43° x 63°	3000K	629	8
FAR50.200.OV.94.61	FAR50.200.OV.94.63	FAR50.200.OV.94.66	FAR50.200.OV.94.68	43° x 63°	4000K	688	8
FAR50.250.28.93.61	FAR50.250.28.93.63	FAR50.250.28.93.66	FAR50.250.28.93.68	28°	3000K	877	10
FAR50.250.28.94.61	FAR50.250.28.94.63	FAR50.250.28.94.66	FAR50.250.28.94.68	28°	4000K	959	10
FAR50.250.43.93.61	FAR50.250.43.93.63	FAR50.250.43.93.66	FAR50.250.43.93.68	43°	3000K	822	10
FAR50.250.43.94.61	FAR50.250.43.94.63	FAR50.250.43.94.66	FAR50.250.43.94.68	43°	4000K	899	10
FAR50.250.OV.93.61	FAR50.250.OV.93.63	FAR50.250.OV.93.66	FAR50.250.OV.93.68	43° x 63°	3000K	782	10
FAR50.250.OV.94.61	FAR50.250.OV.94.63	FAR50.250.OV.94.66	FAR50.250.OV.94.68	43° x 63°	4000K	855	10
FAR50.300.28.93.61	FAR50.300.28.93.63	FAR50.300.28.93.66	FAR50.300.28.93.68	28°	3000K	1009	12
FAR50.300.28.94.61	FAR50.300.28.94.63	FAR50.300.28.94.66	FAR50.300.28.94.68	28°	4000K	1103	12
FAR50.300.43.93.61	FAR50.300.43.93.63	FAR50.300.43.93.66	FAR50.300.43.93.68	43°	3000K	947	12
FAR50.300.43.94.61	FAR50.300.43.94.63	FAR50.300.43.94.66	FAR50.300.43.94.68	43°	4000K	1036	12
FAR50.300.OV.93.61	FAR50.300.OV.93.63	FAR50.300.OV.93.66	FAR50.300.OV.93.68	43° x 63°	3000K	900	12
FAR50.300.OV.94.61	FAR50.300.OV.94.63	FAR50.300.OV.94.66	FAR50.300.OV.94.68	43° x 63°	4000K	984	12
FAR50.350.28.93.61	FAR50.350.28.93.63	FAR50.350.28.93.66	FAR50.350.28.93.68	28°	3000K	1143	14
FAR50.350.28.94.61	FAR50.350.28.94.63	FAR50.350.28.94.66	FAR50.350.28.94.68	28°	4000K	1250	14
FAR50.350.43.93.61	FAR50.350.43.93.63	FAR50.350.43.93.66	FAR50.350.43.93.68	43°	3000K	1077	14
FAR50.350.43.94.61	FAR50.350.43.94.63	FAR50.350.43.94.66	FAR50.350.43.94.68	43°	4000K	1178	14
FAR50.350.OV.93.61	FAR50.350.OV.93.63	FAR50.350.OV.93.66	FAR50.350.OV.93.68	43° x 63°	3000K	1021	14
FAR50.350.OV.94.61	FAR50.350.OV.94.63	FAR50.350.OV.94.66	FAR50.350.OV.94.68	43° x 63°	4000K	1117	14

## Product Variants

### TECHNICAL SPECIFICATIONS



### OTHER LUMINAIRES WITHIN THE FAMILY

- Flex Fixed 50 - Lens
- Flex Fixed 50 - Reflector
- Flex Adjustable 50 - Lens
- Flex Fixed 70 - Lens
- Flex Fixed 70 - Reflector
- Flex Adjustable 70 - Lens
- Flex Adjustable 70 - Reflector



Australian made like nothing ELS<sup>e</sup>.