

FLEX FIXED 50 | LENS

Premium fixed downlight with lens technology



Product Description

Flex by name and Flex by design. The Flex Fixed 50 luminaire is the most versatile high performance spotlight luminaire available in the ELS range.

Presenting a sleek minimalist style, the Flex Fixed 50 features optics that ensure exceptional glare control a cornerstone of ELS's design philosophy.

It is available with variable output technology to optimise performance to exact project requirements.

Product Details

Absolute luminous flux	487lm - 1243lm
System watts	6W / 8W / 10W / 12W / 14W
Luminaire efficacy	up to 96lm/W
Colour deviation	2 SDCM
Colour rendition Index	>95
Correlated colour temperature	3000K / 4000K
Lumen maintenance	L90B10 90,000hours
Dimming method	Trailing Edge / DALI / Casambi
Optic	PMMA Clear Lens
Beam angle	16° / 24° / 33° / 55° / 40°x59°
Luminaire housing	Aluminium
Luminaire housing colour	Black / White / Silver / Custom
Luminaire baffle colour	Black
Custom body finishes	Custom powdercoat colour
Country of origin	Australia

CUSTOM LUMINAIRE MODIFICATIONS

2700K and 3500K colour temperature
 2700K - 6500K tuneable white
 IPX4

OPTIONAL ACCESSORIES



SECONDARY LINEAR LENS



SPECIALTY COLOUR FILTERS



HONEYCOMB LOUVRE

Product Variants

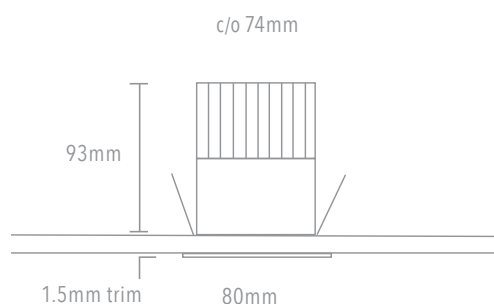
TECHNICAL SPECIFICATIONS

NON DIMMABLE	TRAILING EDGE DIMMABLE	DALI DIMMABLE	CASAMBI DIMMABLE	BEAM ANGLE	CCT	LUMENS	WATTS
FFL50.150.16.93.61	FFL50.150.16.93.63	FFL50.150.16.93.66	FFL50.150.16.93.68	16°	3000K	520	6
FFL50.150.16.94.61	FFL50.150.16.94.63	FFL50.150.16.94.66	FFL50.150.16.94.68	16°	4000K	568	6
FFL50.150.24.93.61	FFL50.150.24.93.63	FFL50.150.24.93.66	FFL50.150.24.93.68	24°	3000K	530	6
FFL50.150.24.94.61	FFL50.150.24.94.63	FFL50.150.24.94.66	FFL50.150.24.94.68	24°	4000K	578	6
FFL50.150.33.93.61	FFL50.150.33.93.63	FFL50.150.33.93.66	FFL50.150.33.93.68	33°	3000K	531	6
FFL50.150.33.94.61	FFL50.150.33.94.63	FFL50.150.33.94.66	FFL50.150.33.94.68	33°	4000K	579	6
FFL50.150.55.93.61	FFL50.150.55.93.63	FFL50.150.55.93.66	FFL50.150.55.93.68	55°	3000K	493	6
FFL50.150.55.94.61	FFL50.150.55.94.63	FFL50.150.55.94.66	FFL50.150.55.94.68	55°	4000K	538	6
FFL50.150.OV.93.61	FFL50.150.OV.93.63	FFL50.150.OV.93.66	FFL50.150.OV.93.68	49° x 59°	3000K	487	6
FFL50.150.OV.94.61	FFL50.150.OV.94.63	FFL50.150.OV.94.66	FFL50.150.OV.94.68	49° x 59°	4000K	531	6
FFL50.200.16.93.61	FFL50.200.16.93.63	FFL50.200.16.93.66	FFL50.200.16.93.68	16°	3000K	678	8
FFL50.200.16.94.61	FFL50.200.16.94.63	FFL50.200.16.94.66	FFL50.200.16.94.68	16°	4000K	741	8
FFL50.200.24.93.61	FFL50.200.24.93.63	FFL50.200.24.93.66	FFL50.200.24.93.68	24°	3000K	690	8
FFL50.200.24.94.61	FFL50.200.24.94.63	FFL50.200.24.94.66	FFL50.200.24.94.68	24°	4000K	755	8
FFL50.200.33.93.61	FFL50.200.33.93.63	FFL50.200.33.93.66	FFL50.200.33.93.68	33°	3000K	690	8
FFL50.200.33.94.61	FFL50.200.33.94.63	FFL50.200.33.94.66	FFL50.200.33.94.68	33°	4000K	756	8
FFL50.200.55.93.61	FFL50.200.55.93.63	FFL50.200.55.93.66	FFL50.200.55.93.68	55°	3000K	643	8
FFL50.200.55.94.61	FFL50.200.55.94.63	FFL50.200.55.94.66	FFL50.200.55.94.68	55°	4000K	703	8
FFL50.200.OV.93.61	FFL50.200.OV.93.63	FFL50.200.OV.93.66	FFL50.200.OV.93.68	49° x 59°	3000K	634	8
FFL50.200.OV.94.61	FFL50.200.OV.94.63	FFL50.200.OV.94.66	FFL50.200.OV.94.68	49° x 59°	4000K	693	8
FFL50.250.16.93.61	FFL50.250.16.93.63	FFL50.250.16.93.66	FFL50.250.16.93.68	16°	3000K	828	10
FFL50.250.16.94.61	FFL50.250.16.94.63	FFL50.250.16.94.66	FFL50.250.16.94.68	16°	4000K	907	10
FFL50.250.24.93.61	FFL50.250.24.93.63	FFL50.250.24.93.66	FFL50.250.24.93.68	24°	3000K	843	10
FFL50.250.24.94.61	FFL50.250.24.94.63	FFL50.250.24.94.66	FFL50.250.24.94.68	24°	4000K	923	10
FFL50.250.33.93.61	FFL50.250.33.93.63	FFL50.250.33.93.66	FFL50.250.33.93.68	33°	3000K	845	10
FFL50.250.33.94.61	FFL50.250.33.94.63	FFL50.250.33.94.66	FFL50.250.33.94.68	33°	4000K	925	10
FFL50.250.55.93.61	FFL50.250.55.93.63	FFL50.250.55.93.66	FFL50.250.55.93.68	55°	3000K	785	10
FFL50.250.55.94.61	FFL50.250.55.94.63	FFL50.250.55.94.66	FFL50.250.55.94.68	55°	4000K	860	10
FFL50.250.OV.93.61	FFL50.250.OV.93.63	FFL50.250.OV.93.66	FFL50.250.OV.93.68	49° x 59°	3000K	774	10
FFL50.250.OV.94.61	FFL50.250.OV.94.63	FFL50.250.OV.94.66	FFL50.250.OV.94.68	49° x 59°	4000K	848	10

Product Variants

TECHNICAL SPECIFICATIONS

NON DIMMABLE	TRAILING EDGE DIMMABLE	DALI DIMMABLE	CASAMBI DIMMABLE	BEAM ANGLE	CCT	Lumens	Watts
FFL50.300.16.93.61	FFL50.300.16.93.63	FFL50.300.16.93.66	FFL50.300.16.93.68	16°	3000K	974	12
FFL50.300.16.94.61	FFL50.300.16.94.63	FFL50.300.16.94.66	FFL50.300.16.94.68	16°	4000K	1065	12
FFL50.300.24.93.61	FFL50.300.24.93.63	FFL50.300.24.93.66	FFL50.300.24.93.68	24°	3000K	992	12
FFL50.300.24.94.61	FFL50.300.24.94.63	FFL50.300.24.94.66	FFL50.300.24.94.68	24°	4000K	1084	12
FFL50.300.33.93.61	FFL50.300.33.93.63	FFL50.300.33.93.66	FFL50.300.33.93.68	33°	3000K	994	12
FFL50.300.33.94.61	FFL50.300.33.94.63	FFL50.300.33.94.66	FFL50.300.33.94.68	33°	4000K	1086	12
FFL50.300.55.93.61	FFL50.300.55.93.63	FFL50.300.55.93.66	FFL50.300.55.93.68	55°	3000K	923	12
FFL50.300.55.94.61	FFL50.300.55.94.63	FFL50.300.55.94.66	FFL50.300.55.94.68	55°	4000K	1009	12
FFL50.300.OV.93.61	FFL50.300.OV.93.63	FFL50.300.OV.93.66	FFL50.300.OV.93.68	49° x 59°	3000K	893	12
FFL50.300.OV.94.61	FFL50.300.OV.94.63	FFL50.300.OV.94.66	FFL50.300.OV.94.68	49° x 59°	4000K	976	12
FFL50.350.16.93.61	FFL50.350.16.93.63	FFL50.350.16.93.66	FFL50.350.16.93.68	16°	3000K	1114	14
FFL50.350.16.94.61	FFL50.350.16.94.63	FFL50.350.16.94.66	FFL50.350.16.94.68	16°	4000K	1218	14
FFL50.350.24.93.61	FFL50.350.24.93.63	FFL50.350.24.93.66	FFL50.350.24.93.68	24°	3000K	1099	14
FFL50.350.24.94.61	FFL50.350.24.94.63	FFL50.350.24.94.66	FFL50.350.24.94.68	24°	4000K	1240	14
FFL50.350.33.93.61	FFL50.350.33.93.63	FFL50.350.33.93.66	FFL50.350.33.93.68	33°	3000K	1166	14
FFL50.350.33.94.61	FFL50.350.33.94.63	FFL50.350.33.94.66	FFL50.350.33.94.68	33°	4000K	1243	14
FFL50.350.55.93.61	FFL50.350.55.93.63	FFL50.350.55.93.66	FFL50.350.55.93.68	55°	3000K	1071	14
FFL50.350.55.94.61	FFL50.350.55.94.63	FFL50.350.55.94.66	FFL50.350.55.94.68	55°	4000K	1155	14
FFL50.350.OV.93.61	FFL50.350.OV.93.63	FFL50.350.OV.93.66	FFL50.350.OV.93.68	49° x 59°	3000K	1023	14
FFL50.350.OV.94.61	FFL50.350.OV.94.63	FFL50.350.OV.94.66	FFL50.350.OV.94.68	49° x 59°	4000K	1117	14



OTHER LUMINAIRES WITHIN THE FAMILY

- Flex Fixed 50 - Reflector
- Flex Adjustable 50 - Lens
- Flex Adjustable 50 - Reflector
- Flex Fixed 70 - Lens
- Flex Fixed 70 - Reflector
- Flex Adjustable 70 - Lens
- Flex Adjustable 70 - Reflector



Australian made like nothing ELS^e.