

FLEX FIXED 50 | REFLECTOR

Premium fixed downlight with reflector technology



Product Description

Flex by name and Flex by design. The Flex Fixed 50 luminaire is the most versatile high performance spotlight luminaire available.

Presenting in a sleek minimalist style, the Flex Fixed 50 modern grooved housing is made from materials with heat sinking properties.

It is available with variable output technology to optimise performance to exact project requirements.

Product Details

Absolute luminous flux	465lm - 1250lm
System watts	6W / 8W / 10W / 12W / 14W
Luminaire efficacy	up to 95lm/W
Colour deviation	2 SDCM
Colour rendition Index	>95
Correlated colour temperature	3000K / 4000K
Lumen maintenance	L90B10 90,000hours
Dimming method	Trailing Edge / DALI / Casambi
Optic	Aluminium Reflector
Beam angle	28° / 43° / 43°x 63°
Luminaire housing	Aluminium
Luminaire housing colour	Black / White / Silver / Custom
Luminaire baffle colour	Black
Custom body finishes	Custom powdercoat colour
Country of origin	Australia

CUSTOM LUMINAIRE MODIFICATIONS

2700K and 3500K colour temperature
2700K - 6500K tuneable white
IPX4

OPTIONAL ACCESSORIES



SECONDARY LINEAR LENS



SPECIALTY COLOUR FILTERS



HONEYCOMB LOUVRE

CUSTOM REFLECTOR FINISHES



GOLD



CHAMPAGNE



BRASS



BLACK



WHITE

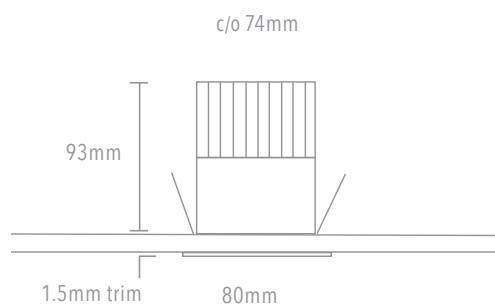
Product Variants

TECHNICAL SPECIFICATIONS

NON DIMMABLE	TRAILING EDGE DIMMABLE	DALI DIMMABLE	CASAMBI DIMMABLE	BEAM ANGLE	CCT	LUMENS	WATTS
FFR50.150.28.93.61	FFR50.150.28.93.63	FFR50.150.28.93.66	FFR50.150.28.93.68	28°	3000K	505	6
FFR50.150.28.94.61	FFR50.150.28.94.63	FFR50.150.28.94.66	FFR50.150.28.94.68	28°	4000K	585	6
FFR50.150.43.93.61	FFR50.150.43.93.63	FFR50.150.43.93.66	FFR50.150.43.93.68	43°	3000K	465	6
FFR50.150.43.94.61	FFR50.150.43.94.63	FFR50.150.43.94.66	FFR50.150.43.94.68	43°	4000K	520	6
FFR50.150.OV.93.61	FFR50.150.OV.93.63	FFR50.150.OV.93.66	FFR50.150.OV.93.68	43° x 63°	3000K	466	6
FFR50.150.OV.94.61	FFR50.150.OV.94.63	FFR50.150.OV.94.66	FFR50.150.OV.94.68	43° x 63°	4000K	507	6
FFR50.200.28.93.61	FFR50.200.28.93.63	FFR50.200.28.93.66	FFR50.200.28.93.68	28°	3000K	703	8
FFR50.200.28.94.61	FFR50.200.28.94.63	FFR50.200.28.94.66	FFR50.200.28.94.68	28°	4000K	769	8
FFR50.200.43.93.61	FFR50.200.43.93.63	FFR50.200.43.93.66	FFR50.200.43.93.68	43°	3000K	659	8
FFR50.200.43.94.61	FFR50.200.43.94.63	FFR50.200.43.94.66	FFR50.200.43.94.68	43°	4000K	721	8
FFR50.200.OV.93.61	FFR50.200.OV.93.63	FFR50.200.OV.93.66	FFR50.200.OV.93.68	43° x 63°	3000K	629	8
FFR50.200.OV.94.61	FFR50.200.OV.94.63	FFR50.200.OV.94.66	FFR50.200.OV.94.68	43° x 63°	4000K	688	8
FFR50.250.28.93.61	FFR50.250.28.93.63	FFR50.250.28.93.66	FFR50.250.28.93.68	28°	3000K	877	10
FFR50.250.28.94.61	FFR50.250.28.94.63	FFR50.250.28.94.66	FFR50.250.28.94.68	28°	4000K	959	10
FFR50.250.43.93.61	FFR50.250.43.93.63	FFR50.250.43.93.66	FFR50.250.43.93.68	43°	3000K	822	10
FFR50.250.43.94.61	FFR50.250.43.94.63	FFR50.250.43.94.66	FFR50.250.43.94.68	43°	4000K	899	10
FFR50.250.OV.93.61	FFR50.250.OV.93.63	FFR50.250.OV.93.66	FFR50.250.OV.93.68	43° x 63°	3000K	782	10
FFR50.250.OV.94.61	FFR50.250.OV.94.63	FFR50.250.OV.94.66	FFR50.250.OV.94.68	43° x 63°	4000K	855	10
FFR50.300.28.93.61	FFR50.300.28.93.63	FFR50.300.28.93.66	FFR50.300.28.93.68	28°	3000K	1009	12
FFR50.300.28.94.61	FFR50.300.28.94.63	FFR50.300.28.94.66	FFR50.300.28.94.68	28°	4000K	1103	12
FFR50.300.43.93.61	FFR50.300.43.93.63	FFR50.300.43.93.66	FFR50.300.43.93.68	43°	3000K	947	12
FFR50.300.43.94.61	FFR50.300.43.94.63	FFR50.300.43.94.66	FFR50.300.43.94.68	43°	4000K	1036	12
FFR50.300.OV.93.61	FFR50.300.OV.93.63	FFR50.300.OV.93.66	FFR50.300.OV.93.68	43° x 63°	3000K	900	12
FFR50.300.OV.94.61	FFR50.300.OV.94.63	FFR50.300.OV.94.66	FFR50.300.OV.94.68	43° x 63°	4000K	984	12
FFR50.350.28.93.61	FFR50.350.28.93.63	FFR50.350.28.93.66	FFR50.350.28.93.68	28°	3000K	1143	14
FFR50.350.28.94.61	FFR50.350.28.94.63	FFR50.350.28.94.66	FFR50.350.28.94.68	28°	4000K	1250	14
FFR50.350.43.93.61	FFR50.350.43.93.63	FFR50.350.43.93.66	FFR50.350.43.93.68	43°	3000K	1077	14
FFR50.350.43.94.61	FFR50.350.43.94.63	FFR50.350.43.94.66	FFR50.350.43.94.68	43°	4000K	1178	14
FFR50.350.OV.93.61	FFR50.350.OV.93.63	FFR50.350.OV.93.66	FFR50.350.OV.93.68	43° x 63°	3000K	1021	14
FFR50.350.OV.94.61	FFR50.350.OV.94.63	FFR50.350.OV.94.66	FFR50.350.OV.94.68	43° x 63°	4000K	1117	14

Product Variants

TECHNICAL SPECIFICATIONS



OTHER LUMINAIRES WITHIN THE FAMILY

- Flex Fixed 50 - Lens
- Flex Adjustable 50 - Lens
- Flex Adjustable 50 - Reflector
- Flex Fixed 70 - Lens
- Flex Fixed 70 - Reflector
- Flex Adjustable 70 - Lens
- Flex Adjustable 70 - Reflector



Australian made like nothing ELS^e.