

LUXIENT™ TRACKSPOT 90 | REFLECTOR

Premium track mounted luminaire with reflector technology



Product Description

With an echo to classic designs of the past, but with an eye firmly on the future the Luxient Trackspot 90 offers perfect versatility and performance in any environment where both spot and track lighting is the preferred solution. Presenting in a sleek, modern cylindrical housing this luminaire is available with Variable Output Technology to optimise performance to exact project requirements and power usage.

Flexible Optic Technology enables the Trackspot 90 to deliver more accurate optics by offering flexibility to mix and match primary optics with secondary lenses and anti glare accessories to achieve the perfect results.

Product Details

Absolute luminous flux	534lm - 1689lm
System watts	8W/10W/12W/14W/16W/18W/20W
Luminaire efficacy	up to 90lm/W
Colour deviation	2 SDCM
Colour rendition Index	>95
Correlated colour temperature	3000K / 4000K
Lumen maintenance	L90B10 90,000hours
Dimming method	DALI / Casambi
Optic	Aluminium Reflector
Beam angle	16° / 29° / 50° / 73° / 41°x 68°
Luminaire housing	Aluminium
Luminaire housing colour	Black / White / Custom
Luminaire baffle colour	Black
Country of origin	Australia

OPTIONAL ACCESSORIES



SECONDARY LINEAR LENS



SPECIALTY COLOUR FILTERS



ANGLED SNOOT



SNOOT

HONEYCOMB
LOUVRE

GLARE LOUVRE

CUSTOM LUMINAIRE MODIFICATIONS

2700K and 3500K colour temperature
Custom housing size

CUSTOM REFLECTOR FINISHES



GOLD



CHAMPAGNE



BRASS



BLACK



WHITE

Product Variants

TECHNICAL SPECIFICATIONS

Non Dimmable	DALI Dimmable	Casambi Dimmable	Beam Angle	CCT	Lumens	Watts
LXTR90.200.16.93.61	N/A	LXTR90.200.16.93.68	16°	3000K	672	8
LXTR90.200.16.94.61	N/A	LXTR90.200.16.94.68	16°	4000K	735	8
LXTR90.200.29.93.61	N/A	LXTR90.200.29.93.68	29°	3000K	619	8
LXTR90.200.29.94.61	N/A	LXTR90.200.29.94.68	29°	4000K	677	8
LXTR90.200.50.93.61	N/A	LXTR90.200.50.93.68	50°	3000K	661	8
LXTR90.200.50.94.61	N/A	LXTR90.200.50.94.68	50°	4000K	723	8
LXTR90.200.73.93.61	N/A	LXTR90.200.73.93.68	73°	3000K	626	8
LXTR90.200.73.94.61	N/A	LXTR90.200.73.94.68	73°	4000K	685	8
LXTR90.200.OV.93.61	N/A	LXTR90.200.OV.93.68	41°x68°	3000K	534	8
LXTR90.200.OV.94.61	N/A	LXTR90.200.OV.94.68	41°x68°	4000K	582	8
LXTR90.250.16.93.61	N/A	LXTR90.250.16.93.68	16°	3000K	839	10
LXTR90.250.16.94.61	N/A	LXTR90.250.16.94.68	16°	4000K	904	10
LXTR90.250.29.93.61	N/A	LXTR90.250.29.93.68	29°	3000K	784	10
LXTR90.250.29.94.61	N/A	LXTR90.250.29.94.68	29°	4000K	833	10
LXTR90.250.50.93.61	N/A	LXTR90.250.50.93.68	50°	3000K	820	10
LXTR90.250.50.94.61	N/A	LXTR90.250.50.94.68	50°	4000K	889	10
LXTR90.250.73.93.61	N/A	LXTR90.250.73.93.68	73°	3000K	779	10
LXTR90.250.73.94.61	N/A	LXTR90.250.73.94.68	73°	4000K	842	10
LXTR90.250.OV.93.61	N/A	LXTR90.250.OV.93.68	41°x68°	3000K	655	10
LXTR90.250.OV.94.61	N/A	LXTR90.250.OV.94.68	41°x68°	4000K	715	10
LXTR90.300.16.93.61	LXTR90.300.16.93.66	LXTR90.300.16.93.68	16°	3000K	968	12
LXTR90.300.16.94.61	LXTR90.300.16.94.66	LXTR90.300.16.94.68	16°	4000K	1070	12
LXTR90.300.29.93.61	LXTR90.300.29.93.66	LXTR90.300.29.93.68	29°	3000K	904	12
LXTR90.300.29.94.61	LXTR90.300.29.94.66	LXTR90.300.29.94.68	29°	4000K	985	12
LXTR90.300.50.93.61	LXTR90.300.50.93.66	LXTR90.300.50.93.68	50°	3000K	950	12
LXTR90.300.50.94.61	LXTR90.300.50.94.66	LXTR90.300.50.94.68	50°	4000K	1052	12
LXTR90.300.73.93.61	LXTR90.300.73.93.66	LXTR90.300.73.93.68	73°	3000K	893	12
LXTR90.300.73.94.61	LXTR90.300.73.94.66	LXTR90.300.73.94.68	73°	4000K	996	12
LXTR90.300.OV.93.61	LXTR90.300.OV.93.66	LXTR90.300.OV.93.68	41°x68°	3000K	773	12
LXTR90.300.OV.94.61	LXTR90.300.OV.94.66	LXTR90.300.OV.94.68	41°x68°	4000K	844	12

Product Variants

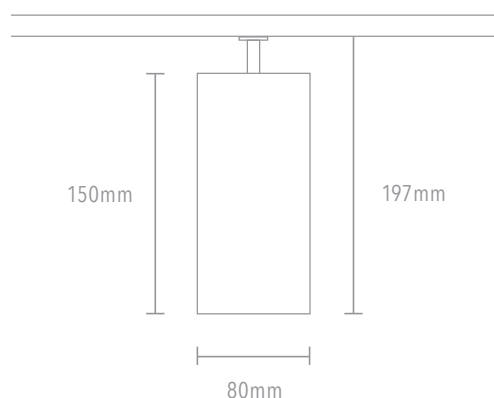
TECHNICAL SPECIFICATIONS

Non Dimmable	DALI Dimmable	Casambi Dimmable	Beam Angle	CCT	Lumens	Watts
LXTR90.350.16.93.61	LXTR90.350.16.93.66	LXTR90.350.16.93.68	16°	3000K	1102	14
LXTR90.350.16.94.61	LXTR90.350.16.94.66	LXTR90.350.16.94.68	16°	4000K	1230	14
LXTR90.350.29.93.61	LXTR90.350.29.93.66	LXTR90.350.29.93.68	29°	3000K	1022	14
LXTR90.350.29.94.61	LXTR90.350.29.94.66	LXTR90.350.29.94.68	29°	4000K	1134	14
LXTR90.350.50.93.61	LXTR90.350.50.93.66	LXTR90.350.50.93.68	50°	3000K	1072	14
LXTR90.350.50.94.61	LXTR90.350.50.94.66	LXTR90.350.50.94.68	50°	4000K	1211	14
LXTR90.350.73.93.61	LXTR90.350.73.93.66	LXTR90.350.73.93.68	73°	3000K	1009	14
LXTR90.350.73.94.61	LXTR90.350.73.94.66	LXTR90.350.73.94.68	73°	4000K	1147	14
LXTR90.350.OV.93.61	LXTR90.350.OV.93.66	LXTR90.350.OV.93.68	41°x68°	3000K	889	14
LXTR90.350.OV.94.61	LXTR90.350.OV.94.66	LXTR90.350.OV.94.68	41°x68°	4000K	972	14
LXTR90.400.16.93.61	LXTR90.400.16.93.66	LXTR90.400.16.93.68	16°	3000K	1267	16
LXTR90.400.16.94.61	LXTR90.400.16.94.66	LXTR90.400.16.94.68	16°	4000K	1386	16
LXTR90.400.29.93.61	LXTR90.400.29.93.66	LXTR90.400.29.93.68	29°	3000K	1178	16
LXTR90.400.29.94.61	LXTR90.400.29.94.66	LXTR90.400.29.94.68	29°	4000K	1277	16
LXTR90.400.50.93.61	LXTR90.400.50.93.66	LXTR90.400.50.93.68	50°	3000K	1236	16
LXTR90.400.50.94.61	LXTR90.400.50.94.66	LXTR90.400.50.94.68	50°	4000K	1364	16
LXTR90.400.73.93.61	LXTR90.400.73.93.66	LXTR90.400.73.93.68	73°	3000K	1163	16
LXTR90.400.73.94.61	LXTR90.400.73.94.66	LXTR90.400.73.94.68	73°	4000K	1291	16
LXTR90.400.OV.93.61	LXTR90.400.OV.93.66	LXTR90.400.OV.93.68	41°x68°	3000K	1000	16
LXTR90.400.OV.94.61	LXTR90.400.OV.94.66	LXTR90.400.OV.94.68	41°x68°	4000K	1094	16
LXTR90.450.16.93.61	LXTR90.450.16.93.66	LXTR90.450.16.93.68	16°	3000K	1392	18
LXTR90.450.16.94.61	LXTR90.450.16.94.66	LXTR90.450.16.94.68	16°	4000K	1541	18
LXTR90.450.29.93.61	LXTR90.450.29.93.66	LXTR90.450.29.93.68	29°	3000K	1283	18
LXTR90.450.29.94.61	LXTR90.450.29.94.66	LXTR90.450.29.94.68	29°	4000K	1419	18
LXTR90.450.50.93.61	LXTR90.450.50.93.66	LXTR90.450.50.93.68	50°	3000K	1355	18
LXTR90.450.50.94.61	LXTR90.450.50.94.66	LXTR90.450.50.94.68	50°	4000K	1516	18
LXTR90.450.73.93.61	LXTR90.450.73.93.66	LXTR90.450.73.93.68	73°	3000K	1273	18
LXTR90.450.73.94.61	LXTR90.450.73.94.66	LXTR90.450.73.94.68	73°	4000K	1436	18
LXTR90.450.OV.93.61	LXTR90.450.OV.93.66	LXTR90.450.OV.93.68	41°x68°	3000K	1112	18
LXTR90.450.OV.94.61	LXTR90.450.OV.94.66	LXTR90.450.OV.94.68	41°x68°	4000K	1215	18

Product Variants

TECHNICAL SPECIFICATIONS

Non Dimmable	DALI Dimmable	Casambi Dimmable	Beam Angle	CCT	Lumens	Watts
LXTR90.500.16.93.61	LXTR90.500.16.93.66	LXTR90.500.16.93.68	16°	3000K	1492	20
LXTR90.500.16.94.61	LXTR90.500.16.94.66	LXTR90.500.16.94.68	16°	4000K	1689	20
LXTR90.500.29.93.61	LXTR90.500.29.93.66	LXTR90.500.29.93.68	29°	3000K	1385	20
LXTR90.500.29.94.61	LXTR90.500.29.94.66	LXTR90.500.29.94.68	29°	4000K	1556	20
LXTR90.500.50.93.61	LXTR90.500.50.93.66	LXTR90.500.50.93.68	50°	3000K	1466	20
LXTR90.500.50.94.61	LXTR90.500.50.94.66	LXTR90.500.50.94.68	50°	4000K	1661	20
LXTR90.500.73.93.61	LXTR90.500.73.93.66	LXTR90.500.73.93.68	73°	3000K	1389	20
LXTR90.500.73.94.61	LXTR90.500.73.94.66	LXTR90.500.73.94.68	73°	4000K	1573	20
LXTR90.500.0V.93.61	LXTR90.500.0V.93.66	LXTR90.500.0V.93.68	41°x68°	3000K	1220	20
LXTR90.500.0V.94.61	LXTR90.500.0V.94.66	LXTR90.500.0V.94.68	41°x68°	4000K	1330	20



OTHER LUMINAIRES WITHIN THE FAMILY

- Luxient Trackspot 66 - Lens
- Luxient Trackspot 66 - Reflector
- Luxient Trackspot 90 - Reflector



Australian made like nothing ELS^e.