

FLEX WALL | DOUBLE DIRECTION

Premium wall luminaire with lens technology



Product Description

Flex by name and Flex by design. The Flex 70 Double Wall Luminaire is the newest member to the Flex luminaire family.

Presenting a sleek minimalist style, the Flex 70 Wall Double features optics that ensure exceptional glare control a cornerstone of ELS's design philosophy. It is available with variable output technology to optimise performance to exact project requirements and a range of optics.

Product Details

| | |
|-------------------------------|--|
| Absolute luminous flux | 824lm - 1707m |
| System watts | 8W / 12W / 14W |
| Luminaire efficacy | up to 113lm/W |
| Colour deviation | 2 SDCM |
| Colour rendition Index | >95 |
| Correlated colour temperature | 2700K / 3000K / 3500K / 4000K |
| Lumen maintenance | L90B10 90,000hours |
| Dimming method | Non dimm / Trailing Edge / DALI / Casambi |
| Optic | PMMA Clear Lens |
| Beam angle | 20° / 25° / 34° / 54° / Oval / Forward Throw / Linear / Zoom |
| Driver | Remote - located in wall cavity |
| Luminaire housing | Aluminium Powdercoated |
| Luminaire housing colour | Black / White / Custom |
| Luminaire baffle colour | Black |
| Custom body finishes | Custom powdercoat colour |
| Country of origin | Australia |

CUSTOM LUMINAIRE MODIFICATIONS

RGBW (remote driver)
 White tunable (remote driver)
 Horticultural version - Bloom/ Leaf

OPTIONAL ACCESSORIES



HONEYCOMB LOUVRE
 FFL70.HONEYCOMB



SPECIALTY COLOUR FILTER
 FFL70.COLOUR.XXX

CUSTOM FINISHES



GOLD FEATURE

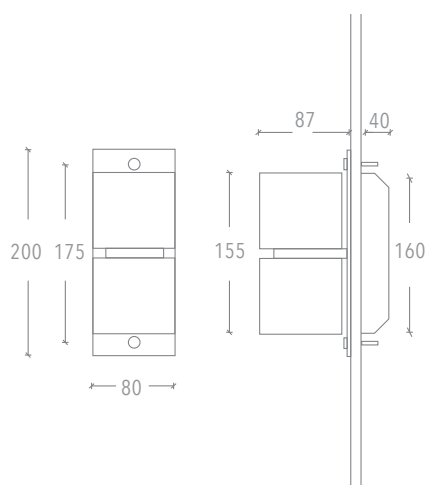


COPPER FEATURE



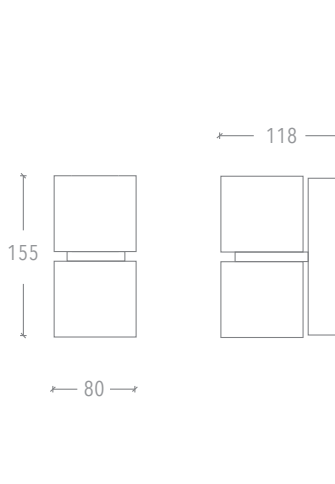
CUSTOM COLOUR FEATURE

TECHNICAL SPECIFICATIONS – REMOTE VERSION (STANDARD SUPPLY)



TECHNICAL SPECIFICATIONS – INTEGRAL VERSION (CUSTOM SUPPLY)

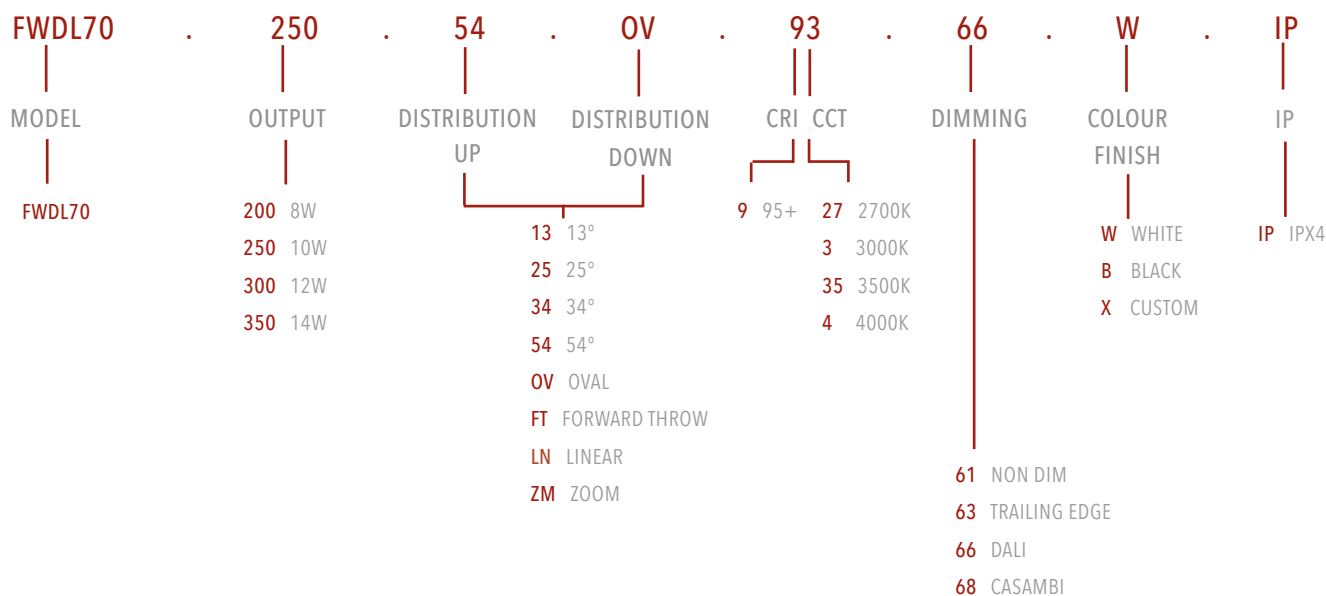
INTEGRAL GEAR BOX VERSION
 ADD .GB TO THE END OF PART CODE AT TIME OF SPECIFICATION



Product Variants HOW TO SPECIFY

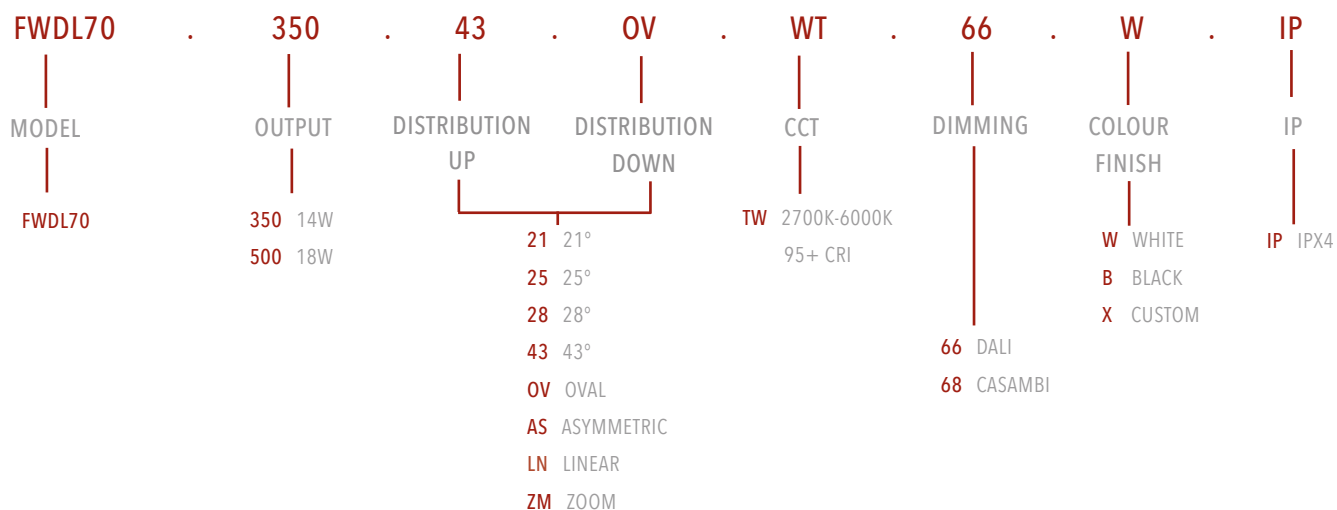
FIXED CCT

Select from the available options to configure luminaire



TUNABLE WHITE

Select from the available options to configure luminaire



RGBW

Select from the available options to configure luminaire

| | | | | | | | | | | | | | | |
|---------------|---|-------------------|---|--|---|----------------------|---|--|---|---------------------------------|---|--------------------------------|---|-----------|
| FWDL70 | . | 350 | . | 63 | . | OV | . | RGBW3 | . | 66 | . | W | . | IP |
| MODEL | | OUTPUT | | DISTRIBUTION UP | | DISTRIBUTION DOWN | | CCT | | DIMMING | | COLOUR FINISH | | IP |
| FWDL70 | | 350 7W 500 10W | | 16 16° 33 33° 43 43° 63 63° OV OVAL AS ASYMMETRIC LN LINEAR ZM ZOOM | | | | RGBW3 RGBW -3000K RGBW4 RGBW -4000K | | 66 DALI 68 CASAMBI 69 DMX | | W WHITE B BLACK X CUSTOM | | IP IPX4 |



OTHER LUMINAIRES WITHIN THE FAMILY

- Flex Fixed 50 Recessed
- Flex Adjustable 50 Recessed
- Flex 50 Surface
- Flex 50 Pendant
- Flex 50 Trackspot
- Flex Fixed 70 Recessed
- Flex Adjustable 70 Recessed
- Flex 70 Surface Mini
- Flex 70 Surface
- Flex 70 Pendant Mini
- Flex 70 Pendant
- Flex 70 Pendant Double
- Flex 70 Trackspot
- Flex 70 Wall Double
- Flex 70 Wall Single



Australian made like nothing **ELS**e.