

# FLEX WALL | SINGLE DIRECTION

Premium wall luminaire with lens technology



## Product Description

Flex by name and Flex by design. The Flex 70 Single Wall luminaire is the newest member to the Flex luminaire family.

Presenting a sleek minimalist style, the Flex 70 Wall Single features optics that ensure exceptional glare control a cornerstone of ELS's design philosophy. It is available with variable output technology to optimise performance to exact project requirements and a range of optics.

## Product Details

Absolute luminous flux	824lm - 1115m
System watts	8W / 10W / 12W
Luminaire efficacy	up to 113lm/W
Colour deviation	2 SDCM
Colour rendition Index	>95
Correlated colour temperature	2700K / 3000K / 3500K / 4000K
Lumen maintenance	L90B10 90,000hours
Dimming method	Non dimm / Trailing Edge / DALI / Casambi
Optic	PMMA Clear Lens
Beam angle	20° / 25° / 34° / 54° / Oval / Forward Throw / Linear / Zoom
Driver	Remote - located in wall cavity
Luminaire housing	Aluminium Powdercoated
Luminaire housing colour	Black / White / Custom
Luminaire baffle colour	Black
Custom body finishes	Custom powdercoat colour
Country of origin	Australia

## CUSTOM LUMINAIRE MODIFICATIONS

RGBW (remote driver)  
 White tunable (remote driver)  
 Horticultural version - Bloom/ Leaf  
 IPX4

## CUSTOM FINISHES



GOLD FEATURE

## OPTIONAL ACCESSORIES

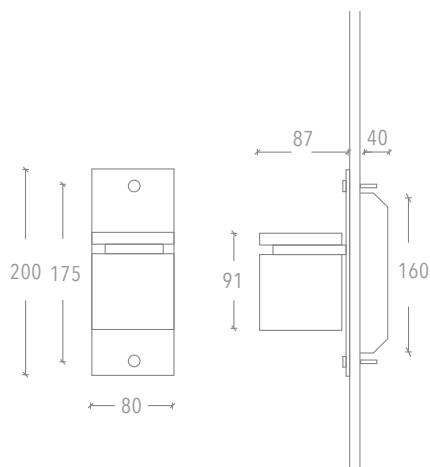


HONEYCOMB LOUVRE  
 FFL70.HONEYCOMB



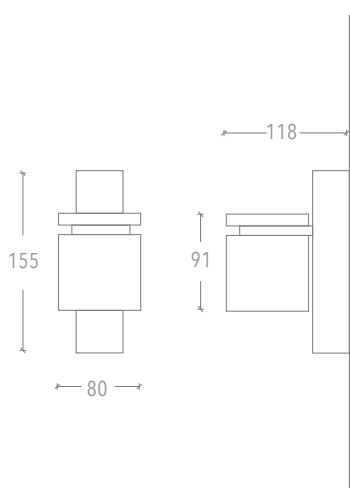
SPECIALTY COLOUR FILTER  
 FFL70.COLOUR.XXX

## TECHNICAL SPECIFICATIONS – REMOTE VERSION (STANDARD SUPPLY)



## TECHNICAL SPECIFICATIONS – INTEGRAL VERSION (CUSTOM SUPPLY)

INTEGRAL GEAR BOX VERSION  
 ADD .GB TO THE END OF PART CODE AT TIME OF SPECIFICATION

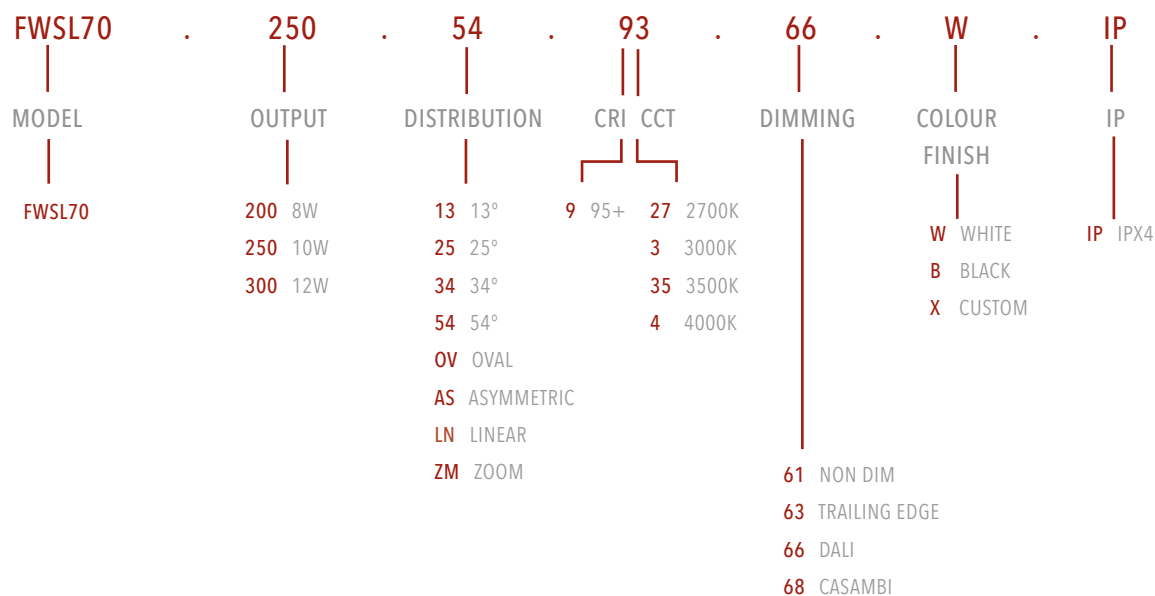


## Product Variants

### HOW TO SPECIFY

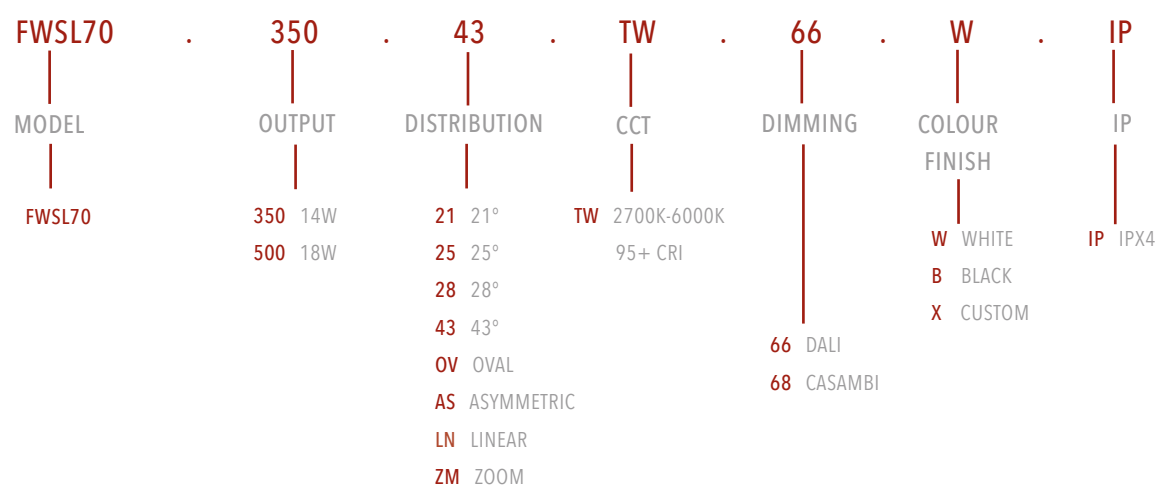
#### FIXED CCT

Select from the available options to configure luminaire



#### TUNABLE WHITE

Select from the available options to configure luminaire



## RGBW

Select from the available options to configure luminaire

<b>FWSL70</b>	<b>350</b>	<b>63</b>	<b>RGBW3</b>	<b>66</b>	<b>W</b>	<b>IP</b>
MODEL	OUTPUT	DISTRIBUTION	CCT	DIMMING	COLOUR FINISH	IP
FWSL70	350 7W 500 10W	16 16° 33 33° 43 43° 63 63° OV OVAL AS ASYMMETRIC LN LINEAR ZM ZOOM	RGBW3 RGBW -3000K RGBW4 RGBW -4000K	66 DALI 68 CASAMBI 69 DMX	W WHITE B BLACK X CUSTOM	IP IPX4



## OTHER LUMINAIRES WITHIN THE FAMILY

- Flex Fixed 50 Recessed
- Flex Adjustable 50 Recessed
- Flex 50 Surface
- Flex 50 Pendant
- Flex 50 Trackspot
- Flex Fixed 70 Recessed
- Flex Adjustable 70 Recessed
- Flex 70 Surface Mini
- Flex 70 Surface
- Flex 70 Pendant Mini
- Flex 70 Pendant
- Flex 70 Pendant Double
- Flex 70 Trackspot
- Flex 70 Wall Double
- Flex 70 Wall Single



Australian made like nothing **ELS**e.