

FLUTE PENDANT | HORIZONTAL

Horizontal fluted glass pendant



Product Description

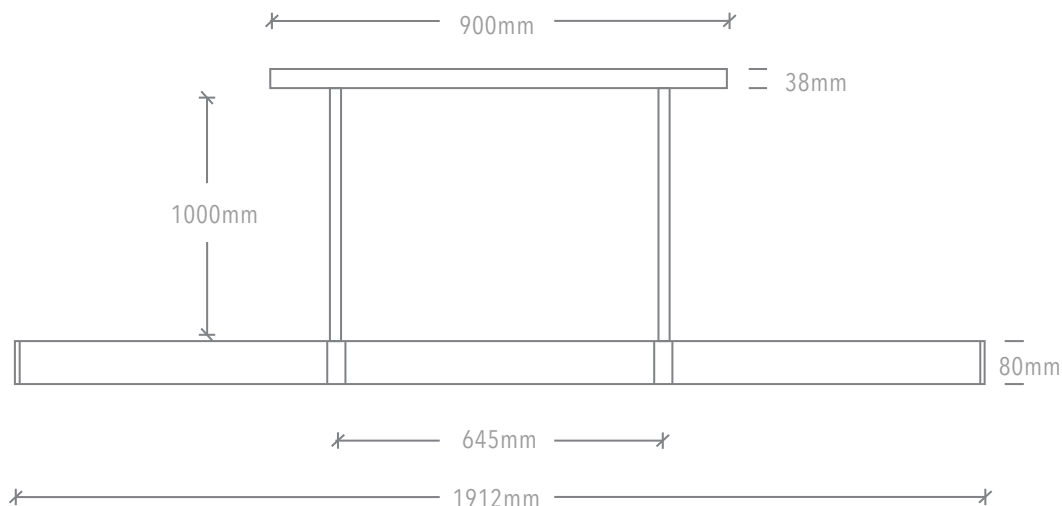
The Flute Pendant luminaires offer a versatile high performance pendant with all the style of the Art Deco era.

Presenting a sleek minimalist style, the Flute Pendant luminaire features the highest quality German manufactured fluted glass combined with Australian made hardware to provide not only a product that looks the part but also performs exceptionally well; a cornerstone of ELS's design and manufacturing philosophy.

Product Details

Absolute luminous flux	5200lm
System watts	76W
Colour deviation	3 SDCM
Colour rendition Index	>90
Correlated colour temperature	2700K / 3000K / 4000K
Lumen maintenance	L80B10 72,000hours
Dimming method	Non dimm / DALI / Casambi
Driver	Integral in ceiling fixing plate
Luminaire housing	Aluminium Powdercoated
Luminaire diffuser	Fluted cylindrical glass / Cylindrical polycarbonate
Colour finish	Black / white / gold
Custom body finishes	Custom powdercoat colour
Suspension	Rod suspended - standard 1m
Country of origin	Australia
Warranty	7 years

TECHNICAL SPECIFICATIONS



Product Variants

DIFFUSER OPTIONS



FLUTED GLASS



OPAL POLYCARB

HOW TO SPECIFY

Select from the available options to configure luminaire

FGPH	.	3X6	.	FG	.	93	.	66	.	W
MODEL		SECTIONS		DIFFUSER		CCT		DIMMING		COLOUR FINISH
FGPH		2X6 2 X 610MM 3X6 3 X 610MM		FG FLUTED GLASS PC OPAL POLYCARB		927 2700K 93 3000K 94 4000K		61 NON DIM 66 DALI 68 CASAMBI		W WHITE B BLACK G GOLD X CUSTOM



OTHER LUMINAIRES WITHIN THE FAMILY

Flute Pendant Vertical

Flute Wall Mounted



Australian made like nothing **ELS**_e.