

ICONIC | EYELID WALL

Premium IP66 exterior in-wall eyelid luminaire



Product Description

Designed and manufactured in Australia to withstand the harsh Australian conditions the Iconic In-wall luminaire is IP66 rated.

Presenting a sleek miniature style, the Iconic In-wall luminaire with eyelid allows maximum glare control while providing discreet forward and side throw optics for improved spacings.

Product Details

Absolute luminous flux	180lm - 301lm
System watts	6W / 8W / 11W
Luminaire efficacy	up to 74lm/W
Colour rendition Index	80+
Correlated colour temperature	Amber/ 2700K / 3000K / 4000K / RGBW
Lumen maintenance	L90 87,000hours
Dimming method	Non dimm / DALI / DMX
Optic	PMMA Clear Lens
Beam angle	Forward/side throw
Luminaire housing	Aluminium
Luminaire housing colour	Clear anodised / Gunmetal anodised / Gold anodised
Custom body finishes	Custom anodised colour
IP Rating	IP66
Voltage	24V
Power Supply	Sold separately
Country of origin	Australia

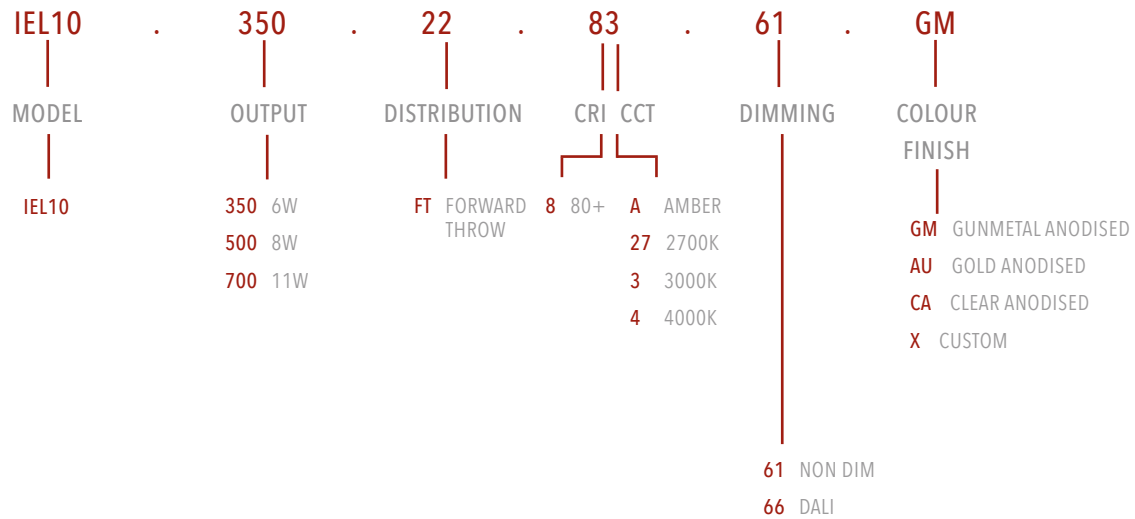
CUSTOM LUMINAIRE MODIFICATIONS

2700K colour temperature
Amber LED

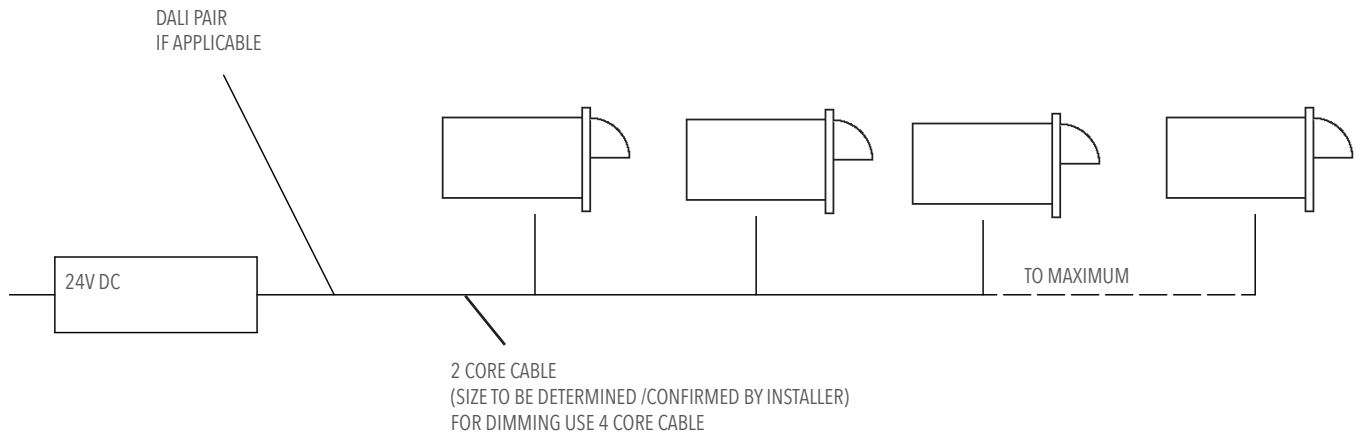
Product Variants HOW TO SPECIFY

FIXED CCT

Select from the available options to configure luminaire



WIRING SPECIFICATIONS



MAXIMUM QTY PER POWER SUPPLY / MAX CABLE DISTANCE (FIXED COLOUR ONLY)

Manufacturer	Model	350mA	500mA	700mA	2.5mm SQ (m)	4mm SQ (m)	6mm SQ (m)
Meanwell	HLG-40H-24	6	4	3	45	75	115
Meanwell	HLG-60H-24	9	7	5	25	45	65
Meanwell	HLG-150H-24	24	18	12	12	19	25

Product Variants HOW TO SPECIFY CONT.

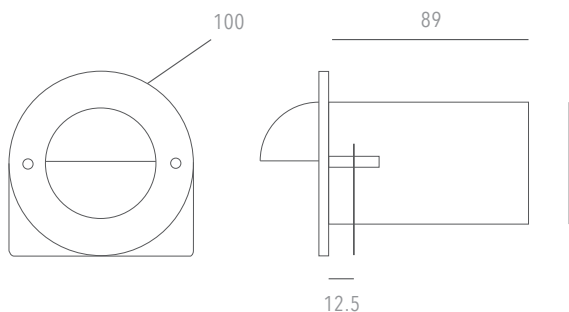
RGBW

Select from the available options to configure luminaire

IEL10	350	22	RGBW3	66	GM
MODEL	OUTPUT	DISTRIBUTION	CCT	DIMMING	COLOUR FINISH
IEL10	350 9W 500 11W 700 15W	FT FORWARD THROW	RGBW3 RGBW -3000K RGBW4 RGBW -4000K	66 DALI 69 DMX	GM GUNMETAL ANODISED AU GOLD ANODISED CA CLEAR ANODISED X CUSTOM

Product Variants

TECHNICAL SPECIFICATIONS



OTHER LUMINAIRES WITHIN THE FAMILY

- Iconic Projector
- Iconic Recessed Ceiling
- Iconic Inground
- Iconic Inwall



Australian made like nothing **ELS**e.