

TITAN 4 | HI-BAY

High performance hi-bay luminaire



Product Description

Designed and made in Australia with an IP65 and IK10 rating the Titan hi-bay is built to perform.

Offering exceptional efficacy and unprecedented flexibility in size, output and distribution this amazing luminaire is perfect not only for warehouse and industrial applications but also high contact installations such as sports halls.

Product Details

Absolute luminous flux	22042 lm / 33311 lm
System watts	144W / 179W / 214W
Luminaire efficacy	Up to 161 lm/w
Colour deviation	3 Step MacAdam
Colour rendition Index	>80
Correlated colour temperature	3000K / 4000K
Lumen maintenance	L90/B10 @ 70,000 hrs
Dimming method	DALI
Driver remote/integral	Remote
Optic	Aluminium
Beam angle	30° / 90° and Asymmetric
Luminaire housing Material	Zinc Steel
Luminaire Housing colour	Black / White / Custom
Custom body finishes	Custom power coated colour
IP Rating	IP65 / IP20
IK Rating	IK10
Warranty	7 years
Country of origin	Australia

CUSTOM LUMINAIRE MODIFICATIONS

5000K & 6500K

ACCESSORIES

SURFACE MOUNTED KIT TN4.SURF.KIT
 RECESSING KIT TN4.REC.KIT

OPTIONAL EMERGENCY VERSION

PRODUCT CODE FOR IP VERSION TN4.900.90.84.61.IP.ME
 PRODUCT CODE FOR NON-IP VERSION TN4.900.90.84.61.ME

CLASSIFICATIONS:

PHOTOMETRIC TEST REPORT LL25249A
 ENDURANCE (THERMAL) TEST REPORT LL2223505T
 C0, C180 = B80
 C90 , C270 = C500

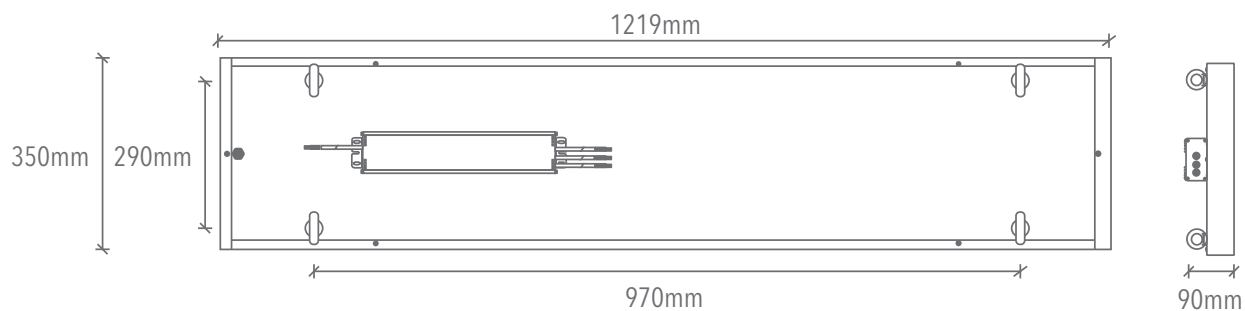
Product Variants

HOW TO SPECIFY

TN4	900	90	83	66	IP	ME	W
MODEL	OUTPUT	DISTRIBUTION	CCT	DIMMING	IP	EMERGENCY	COLOUR FINISH
TN4	900 145W - 23408LM 1100 179W - 28093LM 1300 214W - 33295LM	30 30° 90 90° AS ASYMMETRIC	83 3000K 84 4000K	61 NON DIM 66 DALI	IP65	ME MAINTAINED EMERGENCY	W WHITE B BLACK X CUSTOM

WATTAGES + OUTPUTS LISTED FOR 4000K 90° VERSIONS

TECHNICAL SPECIFICATIONS IP65



OTHER LUMINAIRES WITHIN THE FAMILY

- Titan 2
- Titan 6
- Titan 6 Square



Australian made like nothing **ELS**e.