



Product Description

Designed and made in Australia with an IP65 and IK10 rating the Titan hi-bay is built to perform.

Offering exceptional efficacy and unprecedented flexibility in size, output and distribution this amazing luminaire is perfect not only for warehouse and industrial applications but also high contact installations such as sports halls.

Product Details

Absolute luminous flux	34872 lm / 61655 lm
System watts	228W / 297W / 404W
Luminaire efficacy	Up to 162 lm/w
Colour deviation	3 Step MacAdam
Colour rendition Index	>80
Correlated colour temperature	3000K / 4000K
Lumen maintenance	L90/B10 @ 70,000 hrs
Dimming method	DALI
Driver remote/integral	Remote
Optic	Aluminium
Beam Angle	30° / 90° and Asymmetric
Luminaire housing Material	Zinc Steel
Luminaire Housing colour	Black / White / Custom
Custom Body Finishes	Custom power coated colour
IP Rating	IP65 / IP20
IK Rating	IK10
Warranty	7 years
Country of origin	Australia

CUSTOM LUMINAIRE MODIFICATIONS

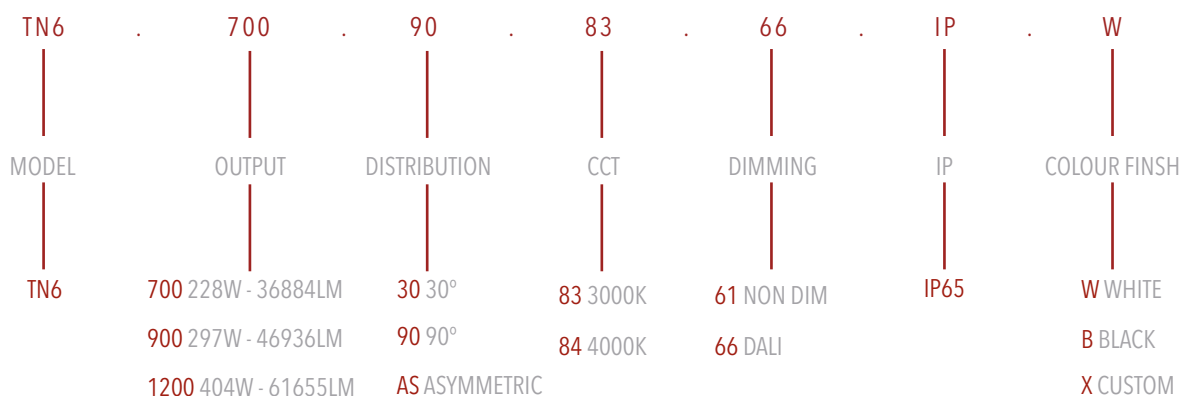
5000K & 6500K

ACCESSORIES

SURFACE MOUNTED KIT TN6.SURF.KIT
 RECESSING KIT TN6.REC.KIT

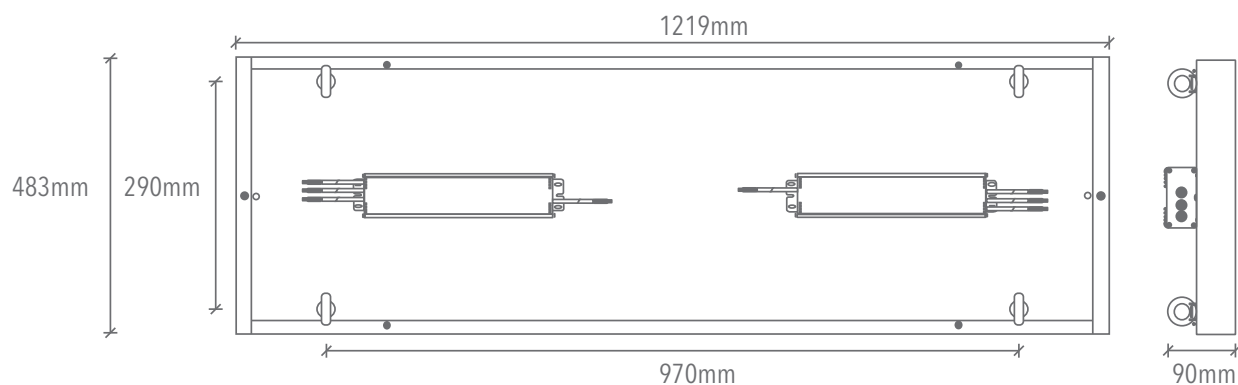
Product Variants

HOW TO SPECIFY



WATTAGES + OUTPUTS LISTED FOR 4000K 90° VERSIONS

TECHNICAL SPECIFICATIONS IP65



OTHER LUMINAIRES WITHIN THE FAMILY

- Titan 2
- Titan 4
- Titan 6 Square



Australian made like nothing **ELS**e.