

TITAN6 SQUARE | HI-BAY

High performance hi-bay luminaire



Product Description

Designed and made in Australia with an IP65 and IK10 rating the Titan hi-bay is built to perform.

Offering exceptional efficacy and unprecedented flexibility in size, output and distribution this amazing luminaire is perfect not only for warehouse and industrial applications but also high contact installations such as sports halls.

Product Details

Absolute luminous flux	17436 lm / 30827 lm
System watts	114W / 148W / 202W
Luminaire efficacy	Up to 162 lm/w
Colour deviation	3 Step MacAdam
Colour rendition Index	>80
Correlated colour temperature	3000K / 4000K
Lumen maintenance	L90/B10 @ 70,000 hrs
Dimming method	DALI
Driver Remote/Integral	Remote
Optic	Aluminium
Beam angle	30° / 90° and Asymmetric
Luminaire housing material	Zinc Steel
Luminaire housing colour	Black / White / Custom
Custom body finishes	Custom power coated colour
IP Rating	IP65 / IP20
IK Rating	IK10
Warranty	7 years
Country of origin	Australia

CUSTOM LUMINAIRE MODIFICATIONS

5000K & 6500K

ACCESSORIES

SURFACE MOUNTED KIT

TN6S.SURF.KIT

RECESSING KIT

TN6S.REC.KIT

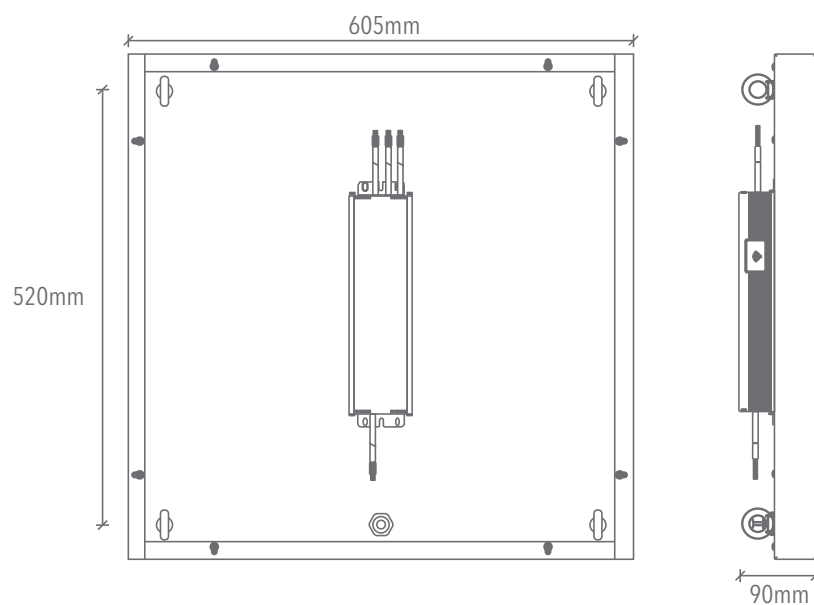
Product Variants

HOW TO SPECIFY

TN6S	700	90	83	66	IP	W
MODEL	OUTPUT	DISTRIBUTION	CCT	DIMMING	IP	COLOUR FINSH
TN6S	700 114W - 18442LM 900 148W - 23468LM 1200 202W - 30827LM	30 30° 90 90° AS ASYMMETRIC	83 3000K 84 4000K	61 NON DIM 66 DALI	IP65	W WHITE B BLACK X CUSTOM

WATTAGES + OUTPUTS LISTED FOR 4000K 90° VERSIONS

TECHNICAL SPECIFICATIONS IP65



OTHER LUMINAIRES WITHIN THE FAMILY

- Titan 2
- Titan 4
- Titan 6



Australian made like nothing **ELS**e.