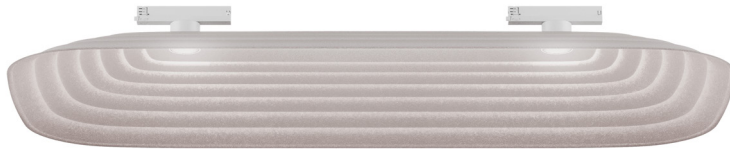


# FUJI HACHI FLEX | CEILING SYSTEM

Track mounted acoustic luminaires for workstations



## Product Description

Flex by name and Flex by design. The Fuji Flex Range re imagines the concept of acoustic ceiling systems through incorporating high quality luminaires.

Beautifully designed and made in Australia the Fuji Flex system allows for the ultimate in lighting customisation while combining acoustic properties to assist in unwanted sound reverberation over workstations and task based areas.

Presenting a sleek minimalist style, the Fuji Hachi Flex features lens based optics that ensure exceptional distributions and glare control, a cornerstone of ELS's design philosophy.

Available with variable output technology to optimise performance to exact project requirements The Fuji Hachi Flex can be mounted singularly or as a large group, either with suspended or surface mounted 3 circuit track.

## Product Details

Absolute luminous flux	up to 2 X 1360 lm
System watts	2 X 8W / 2 X 10W / 2 X 12W / 2 X 14W / 2 X 16W
Luminaire efficacy	up to 92lm/W
Colour deviation	2 SDCM
Colour rendition Index	>95
Correlated colour temperature	2700K / 3000K / 3500K / 4000K
Lumen maintenance	L90B10 90,000hours
Dimming method	DALI / Casambi
Compatible track	Compatible with Global 3-circuit track
Optic	PMMA Clear Lens
Beam angle	16° / 24° / 33° / 55° / 80°
Luminaire housing	Aluminium
Luminaire housing colour	Black / White / Custom
Luminaire baffle colour	Black
Custom body finishes	Custom powdercoat colour
Acoustic cover	PET, 60% post consumer recycled PET
Acoustic cover colour	Black/Black, Black/Cream, Cream/Cream
Country of origin	Australia
Warranty	7 years

## OPTIONAL ACCESSORIES



BLANKING COVER WH  
FUJI.BLANK.WH



BLANKING COVER BL  
FUJI.BLANK.BL

Blanking plates are used in place of luminaires when a luminaire is not required

## PANEL COLOUR OPTIONS



BLACK UPPER /  
CREAM LOWER

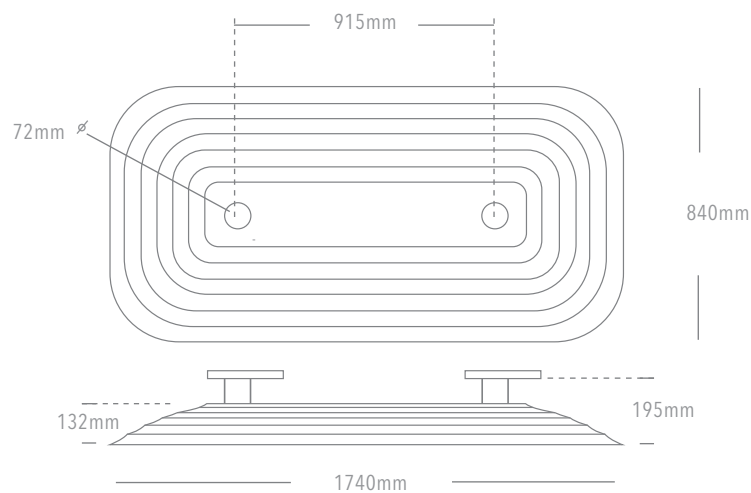


BLACK UPPER /  
BLACK LOWER



CREAM UPPER /  
CREAM LOWER

## TECHNICAL SPECIFICATIONS



Complete with 3-circuit track adaptor - Track and track accessories sold separately

## Fuji hood sound absorption

Fuji Hood dimensions mm (+ / - 3mm)	o.d.s*mm (+ / - 3mm)	Performance indices			
		$\alpha_w$	Class	SAA	NRC
HACHI 840mm x 1740mm x 132mm	241	0.8	B	0.76	0.8

\*o.d.s = overall depth of system

## Fuji hood fire test

BS EN 13501.1: Classification B - s1, d0  
ISO 9705: Group 2  
GB 8624 B1  
ASTM E84 Unadhered: Class 1 or A

## Fuji hood emissions

FUJI ROKU, JUNI, KU and HACHI achieves:  
ASTM D5116: TVOC Emissions Rate: <0.046mg/m<sup>2</sup>/hr (7 days)  
CDPH Standard Method v1.2: TVOC Emissions Rate: <0.020mg/m<sup>3</sup>  
Formaldehyde Emissions Rate: <1µg/m<sup>3</sup>

## Fuji hood composition

Fuji Hood: 100% PET (64% post-consumer recycled)

For additional specifications and performance details including ies files please visit [www.elslighting.com.au](http://www.elslighting.com.au)

## Product Variants HOW TO SPECIFY

### FIXED CCT

Select from the available options to configure luminaire

FHF	200	80	93	66	W	908
MODEL	OUTPUT	DISTRIBUTION	CRI CCT	DIMMING	LUMINAIRE COLOUR	COVER FINISH
FHF FUJI HATCHI FLEX	200 8W - 743lm 250 10W - 865lm 300 12W - 1023lm 350 14W - 1209lm 400 16W - 1360lm	13 13° 25 25° 34 34° 54 54° 80 80°	9 90+ 27 2700K 3 3000K 35 3500K 4 4000K	61 NON DIM 66 DALI 68 CASAMBI	W WHITE B BLACK X CUSTOM	908 CREAM/CREAM 420 CREAM/BLACK 550 BLACK/BLACK

Lumen outputs listed based per luminaire, 2 luminaires supplied per hood package.

Lumen outputs listed based on 4000K, 54degree option in cream cover



Mounted with suspended track



Australian made like nothing **ELS**e.