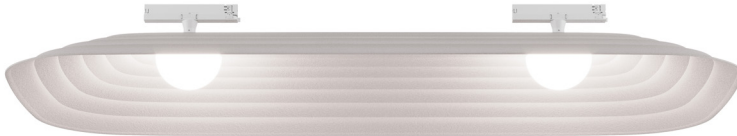


FUJI HACHI GATSU | CEILING SYSTEM

Track mounted acoustic luminaires for workstations



Product Description

Flex by name and Flex by design. The Fuji Gatsu Range re imagines the concept of acoustic ceiling systems through incorporating high quality luminaires.

Beautifully designed and made in Australia the Fuji Hachi Gatsu allows for the ultimate in lighting customisation while combining acoustic properties to assist in unwanted sound reverberation. The Fuji Hachi Gatsu features a domed diffused luminaire with subtle uplighting into the panel, providing a perfect solution for general ambient illumination.

The Fuji Hachi Gatsu can be mounted singularly over a workstation or as a large group, either with suspended or surface mounted 3 circuit track.

Product Details

Absolute luminous flux	up to 2 X 1153 lm
System watts	2 X 5.5W / 2 X 8W / 2 X 10W
Luminaire efficacy	up to 115lm/W
Colour deviation	3 SDCM
Colour rendition Index	>90
Correlated colour temperature	2700K / 3000K / 3500K / 4000K
Lumen maintenance	L80B10 72,000hours
Dimming method	DALI / Casambi
Compatible track	Compatible with Global 3-circuit track
Diffuser	Frosted acrylic diffuser
Luminaire housing	Aluminium
Luminaire housing colour	Black / White / Custom
Luminaire baffle colour	Black
Custom body finishes	Custom powdercoat colour
Acoustic cover	PET, 60% post consumer recycled PET
Acoustic cover colour	Black/Black, Black/Cream, Cream/Cream
Country of origin	Australia
Warranty	7 years

OPTIONAL ACCESSORIES



BLANKING COVER WH
FUJI.BLANK.WH



BLANKING COVER BL
FUJI.BLANK.BL

Blanking plates are used in place of luminaires when a luminaire is not required

PANEL COLOUR OPTIONS



BLACK UPPER /
CREAM LOWER



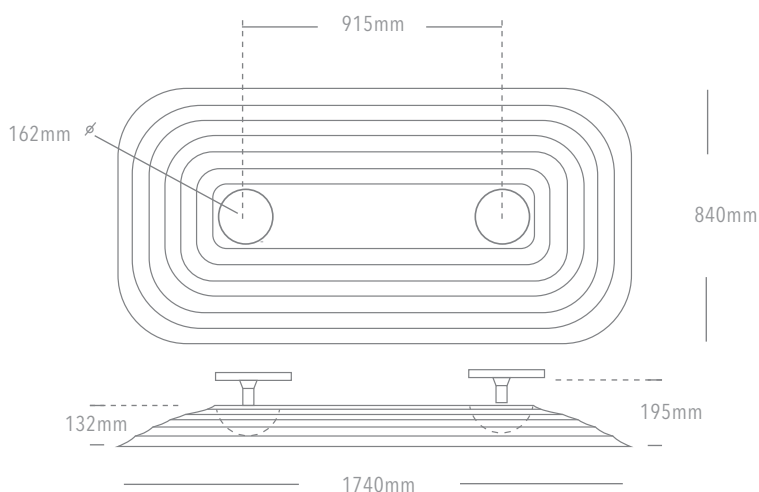
BLACK UPPER /
BLACK LOWER



CREAM UPPER /
CREAM LOWER

TECHNICAL SPECIFICATIONS

Dimensions



Complete with 3-circuit track adaptor - Track and track accessories sold separately

Fuji hood sound absorption

Fuji Hood dimensions mm (+ / - 3mm)	o.d.s*mm (+ / - 3mm)	Performance indices			
		α_w	Class	SAA	NRC
HACHI 840mm x 1740mm x 132mm	241	0.8	B	0.76	0.8

*o.d.s = overall depth of system

Fuji hood fire test

BS EN 13501.1: Classification B - s1, d0
ISO 9705: Group 2
GB 8624 B1
ASTM E84 Unadhered: Class 1 or A

Fuji hood emissions

FUJI ROKU, JUNI, KU and HACHI achieves:
ASTM D5116: TVOC Emissions Rate: <0.046mg/m²/hr (7 days)
CDPH Standard Method v1.2: TVOC Emissions Rate: <0.020mg/m³
Formaldehyde Emissions Rate: <1µg/m³

Fuji hood composition

Fuji Hood: 100% PET (64% post-consumer recycled)

For additional specifications and performance details including ies files please visit www.elslighting.com.au

Product Variants HOW TO SPECIFY

FIXED CCT

Select from the available options to configure luminaire

FHG		200		93		66		W		CC			
MODEL		OUTPUT		CRI	CCT	DIMMING		LUMINAIRE COLOUR		COVER FINISH			
FHG	FUJI HATCHI	100	5.5W - 674lm	9	90+	27	2700K	61	NON DIM	W	WHITE	908	CREAM/CREAM
	GATSU	150	8W - 881lm			3	3000K	66	DALI	B	BLACK	420	CREAM/BLACK
		200	10W - 1153lm			35	3500K	68	CASAMBI	X	CUSTOM	550	BLACK/BLACK
						4	4000K						

Lumen outputs listed based per luminaire, 2 luminaires supplied per hood package.

Lumen outputs listed based on 4000K option in cream cover



Mounted with suspended track



Australian made like nothing **ELS**e.