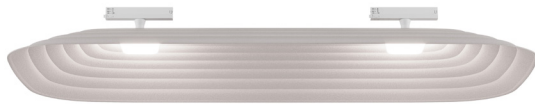


FUJI JUNI AKARI | CEILING SYSTEM

Track mounted acoustic luminaires for workstations



Product Description

The Fuji Akari Range re imagines the concept of acoustic ceiling systems through incorporating high quality luminaires.

Beautifully designed and made in Australia the Fuji Juni Akari allows for the ultimate in lighting customisation while combining acoustic properties to assist in unwanted sound reverberation. The Fuji Juni Akari features a shallow diffused luminaire providing a perfect solution for general ambient illumination.

The Fuji Juni Akari can be mounted singularly over a workstation or as a large group, either with suspended or surface mounted 3 circuit track.

Product Details

Absolute luminous flux	Up to 2 X 1161 lm
System watts	2 X 5.5W / 2 X 8W / 2 X 10W
Luminaire efficacy	up to 117lm/W
Colour deviation	3 SDCM
Colour rendition Index	>90
Correlated colour temperature	2700K / 3000K / 3500K / 4000K
Lumen maintenance	L80B10 72,000hours
Dimming method	DALI / Casambi
Compatible track	Compatible with Global 3-circuit track
Diffuser	Frosted acrylic diffuser
Luminaire housing	Aluminium
Luminaire housing colour	Black / White / Custom
Luminaire baffle colour	Black
Custom body finishes	Custom powdercoat colour
Acoustic cover	PET, 60% post consumer recycled PET
Acoustic cover colour	Black/Black, Black/Cream, Cream/Cream
Country of origin	Australia
Warranty	7 years

OPTIONAL ACCESSORIES



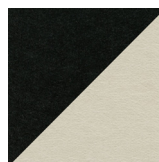
BLANKING COVER WH
FUJI.BLANK.WH



BLANKING COVER BL
FUJI.BLANK.BL

Blanking plates are used in place of luminaires when a luminaire is not required

PANEL COLOUR OPTIONS



BLACK UPPER /
CREAM LOWER



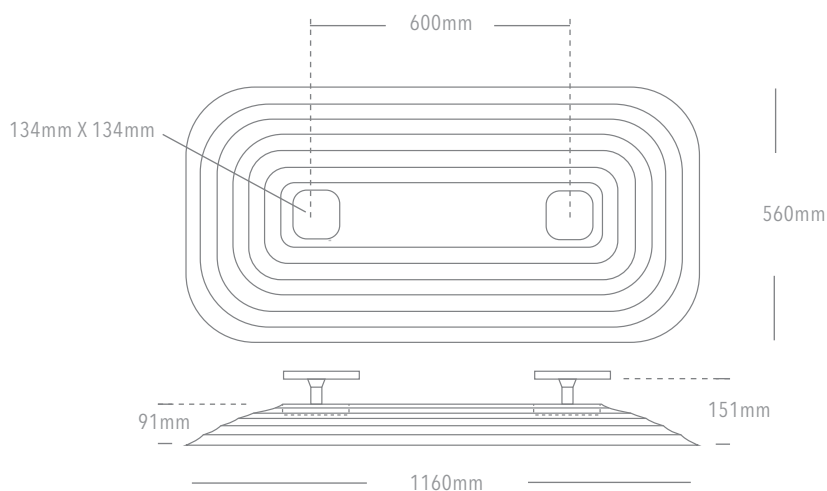
BLACK UPPER /
BLACK LOWER



CREAM UPPER /
CREAM LOWER

TECHNICAL SPECIFICATIONS

Dimensions



Complete with 3-circuit track adaptor - Track and track accessories sold separately

Fuji hood sound absorption

Fuji Hood dimensions mm (+ / - 3mm)	o.d.s*mm (+ / - 3mm)	Performance indices			
		α_w	Class	SAA	NRC
JUNI 560mm x 1160mm x 90mm	199	0.8	B	0.76	0.8

*o.d.s = overall depth of system

Fuji hood fire test

BS EN 13501.1: Classification B - s1, d0
ISO 9705: Group 2
GB 8624 B1
ASTM E84 Unadhered: Class 1 or A

Fuji hood emissions

FUJI ROKU, JUNI, KU and HACHI achieves:
ASTM D5116: TVOC Emissions Rate: <0.046mg/m²/hr (7 days)
CDPH Standard Method v1.2: TVOC Emissions Rate: <0.020mg/m³
Formaldehyde Emissions Rate: <1µg/m³

Fuji hood composition

Fuji Hood: 100% PET (64% post-consumer recycled)

For additional specifications and performance details including ies files please visit www.elslighting.com.au

Product Variants HOW TO SPECIFY

FIXED CCT

Select from the available options to configure luminaire

FJA	200	93	66	W	CC	
MODEL	OUTPUT	CRI CCT	DIMMING	LUMINAIRE COLOUR	COVER FINISH	
FJA FUJI JUNI	100 5.5W - 675lm	9 90+	27 2700K	61 NON DIM	W WHITE	908 CREAM/CREAM
AKARI	150 8W - 875lm	3 3000K	66 DALI	B BLACK	420 CREAM/BLACK	
	200 10W - 1153lm	35 3500K	68 CASAMBI	X CUSTOM	550 BLACK/BLACK	
		4 4000K				

Lumen outputs listed based per luminaire, 2 luminaires supplied per hood package.

Lumen outputs listed based on 4000K option in cream cover



Mounted with suspended track



Australian made like nothing **ELS**e.