

FUJI KU FLEX | CEILING SYSTEM

Track mounted illuminated acoustic ceiling system



Product Description

Flex by name and Flex by design. The Fuji Flex Range re imagines the concept of acoustic ceiling systems through incorporating high quality luminaires.

Beautifully designed and made in Australia the Fuji Flex system allows for the ultimate in lighting customisation while combining acoustic properties to assist in unwanted sound reverberation.

Presenting a sleek minimalist style, the Fuji Ku Flex features lens based optics that ensure exceptional distributions and glare control, a cornerstone of ELS's design philosophy.

Available with variable output technology to optimise performance to exact project requirements The Fuji Ku Flex can be mounted singularly or as a large group, either with suspended or surface mounted 3 circuit track.

Absolute luminous flux	up to 1360 lm
System watts	8W / 10W / 12W / 14W / 16W
Luminaire efficacy	up to 92lm/W
Colour deviation	2 SDCM
Colour rendition Index	>95
Correlated colour temperature	2700K / 3000K / 3500K / 4000K
Lumen maintenance	L90B10 90,000hours
Dimming method	DALI / Casambi
Compatible track	Compatible with Global 3-circuit track
Optic	PMMA Clear Lens
Beam angle	16° / 24° / 33° / 55° / 80°
Luminaire housing	Aluminium
Luminaire housing colour	Black / White / Custom
Luminaire baffle colour	Black
Custom body finishes	Custom powdercoat colour
Acoustic cover	PET, 60% post consumer recycled PET
Acoustic cover colour	Black/Black, Black/Cream, Cream/Cream
Country of origin	Australia
Warranty	7 years

OPTIONAL ACCESSORIES



HONEYCOMB LOUVRE
FFL70.HONEYCOMB



SPECIALTY COLOUR FILTER
FFL70.COLOUR.XXX



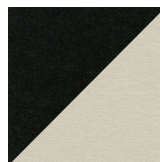
BLANKING COVER WH
FUJI.BLANK.WH



BLANKING COVER BL
FUJI.BLANK.BL

Blanking plates are used in place of luminaires when a luminaire is not required

PANEL COLOUR OPTIONS



BLACK UPPER /
CREAM LOWER



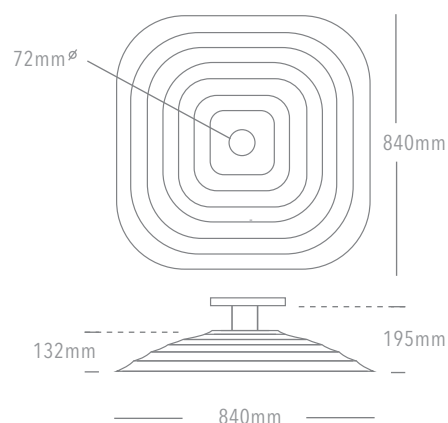
BLACK UPPER /
BLACK LOWER



CREAM UPPER /
CREAM LOWER

TECHNICAL SPECIFICATIONS

Dimensions



Complete with 3-circuit track adaptor - Track and track accessories sold separately

Fuji hood sound absorption

Fuji Hood dimensions mm (+ / - 3mm)	o.d.s*mm (+ / - 3mm)	Performance indices			
		α_w	Class	SAA	NRC
KU 840mm x 840mm x 132mm	241	0.8	B	0.74	0.75

*o.d.s = overall depth of system

Fuji hood fire test

BS EN 13501.1: Classification B - s1, d0
ISO 9705: Group 2
GB 8624 B1
ASTM E84 Unadhered: Class 1 or A

Fuji hood emissions

FUJI ROKU, JUNI, KU and HACHI achieves:
ASTM D5116: TVOC Emissions Rate: <0.046mg/m²/hr (7 days)
CDPH Standard Method v1.2: TVOC Emissions Rate: <0.020mg/m³
Formaldehyde Emissions Rate: <1µg/m³

Fuji hood composition

Fuji Hood: 100% PET (64% post-consumer recycled)

For additional specifications and performance details including ies files please visit www.elslighting.com.au

Product Variants HOW TO SPECIFY

FIXED CCT

Select from the available options to configure luminaire

FKF	200	80	93	66	W	CC	
MODEL	OUTPUT	DISTRIBUTION	CRI CCT	DIMMING	LUMINAIRE COLOUR	COVER FINISH	
FKF FUJI KU FLEX	200 8W - 743lm	13 13°	9 90+	27 2700K	61 NON DIM	W WHITE	908 CREAM/CREAM
	250 10W - 865lm	25 25°	3 3000K	66 DALI	B BLACK	420 CREAM/BLACK	
	300 12W - 1023lm	34 34°	35 3500K	68 CASAMBI	X CUSTOM	550 BLACK/BLACK	
	350 14W - 1209lm	54 54°	4 4000K				
	400 16W - 1360lm	80 80°					

Lumen outputs listed based on 4000K, 54degree option in cream cover



Australian made like nothing **ELS**e.