

FUJI ROKU AKARI | CEILING SYSTEM

Track mounted illuminated acoustic ceiling system



Product Description

The Fuji Roku Range re imagines the concept of acoustic ceiling systems through incorporating high quality luminaires.

Beautifully designed and made in Australia the Fuji Akari system allows for the ultimate in lighting customisation while combining acoustic properties to assist in unwanted sound reverberation. The Fuji Roku Akari features a shallow diffused luminaire providing a perfect solution for general ambient illumination.

The Fuji Roku Akari can be mounted singularly or as a large group, either with suspended or surface mounted 3 circuit track.

Product Details

| | |
|-------------------------------|--|
| Absolute luminous flux | up to 1141lm |
| System watts | 5.5W / 8W / 10W |
| Luminaire efficacy | up to 114lm/W |
| Colour deviation | 3 SDCM |
| Colour rendition Index | >90 |
| Correlated colour temperature | 2700K / 3000K / 3500K / 4000K |
| Lumen maintenance | L80B10 73,000hours |
| Dimming method | DALI / Casambi |
| Compatible track | Compatible with Global 3-circuit track |
| Diffuser | Frosted acrylic diffuser |
| Luminaire housing | Aluminium |
| Luminaire housing colour | Black / White / Custom |
| Luminaire baffle colour | Black |
| Custom body finishes | Custom powdercoat colour |
| Acoustic cover | PET, 60% post consumer recycled PET |
| Acoustic cover colour | Black/Black, Black/Cream, Cream/Cream |
| Country of origin | Australia |
| Warranty | 7 years |

OPTIONAL ACCESSORIES



BLANKING COVER WH
FUJI.BLANK.WH



BLANKING COVER BL
FUJI.BLANK.BL

Blanking plates are used in place of luminaires when a luminaire is not required

PANEL COLOUR OPTIONS



BLACK UPPER /
CREAM LOWER



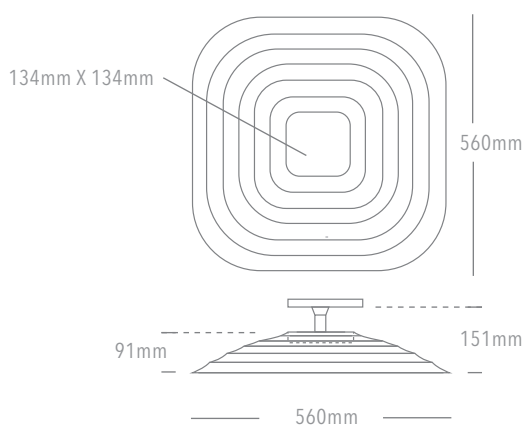
BLACK UPPER /
BLACK LOWER



CREAM UPPER /
CREAM LOWER

TECHNICAL SPECIFICATIONS

Dimensions



Complete with 3-circuit track adaptor - Track and track accessories sold separately

Fuji hood sound absorption

| Fuji Hood dimensions mm (+ / - 3mm) | o.d.s*mm (+ / - 3mm) | Performance indices | | | |
|--|-------------------------|---------------------|-------|------|-----|
| | | α_w | Class | SAA | NRC |
| ROKU 560mm x 560mm x 90mm | 199 | 0.75 | C | 0.72 | 0.7 |

*o.d.s = overall depth of system

Fuji hood fire test

BS EN 13501.1: Classification B - s1, d0
ISO 9705: Group 2
GB 8624 B1
ASTM E84 Unadhered: Class 1 or A

Fuji hood emissions

FUJI ROKU, JUNI, KU and HACHI achieves:
ASTM D5116: TVOC Emissions Rate: <0.046mg/m²/hr (7 days)
CDPH Standard Method v1.2: TVOC Emissions Rate: <0.020mg/m³
Formaldehyde Emissions Rate: <1µg/m³

Fuji hood composition

Fuji Hood: 100% PET (64% post-consumer recycled)

For additional specifications and performance details including ies files please visit www.elslighting.com.au

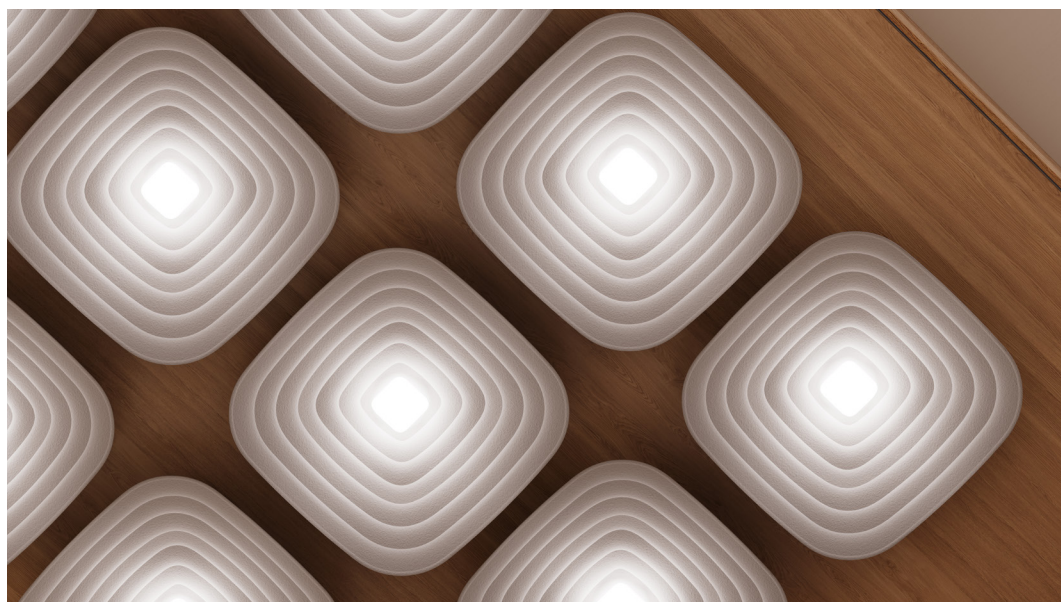
Product Variants HOW TO SPECIFY

FIXED CCT

Select from the available options to configure luminaire

| FRA | MODEL | OUTPUT | CRI | CCT | DIMMING | LUMINAIRE COLOUR | COVER FINISH | | |
|-----|-----------|------------------|-----|-----|---------|------------------|--------------|----------|-----------------|
| FRA | FUJI ROKU | 100 5.5W - 655lm | 9 | 90+ | 27 | 2700K | 61 NON DIM | W WHITE | 908 CREAM/CREAM |
| | AKARI | 150 8W - 864lm | | 3 | 3000K | 66 DALI | 66 DALI | B BLACK | 420 CREAM/BLACK |
| | | 200 10W - 1141lm | | 35 | 3500K | 68 CASAMBI | 68 CASAMBI | X CUSTOM | 550 BLACK/BLACK |
| | | | | 4 | 4000K | | | | |

Lumen outputs listed based on 4000K option in cream cover



Direct ceiling mounted track



Australian made like nothing **ELS**e.