

# FUJI ROKU GATSU | CEILING SYSTEM

Track mounted illuminated acoustic ceiling system



## Product Description

The Fuji Gatsu Range re imagines the concept of acoustic ceiling systems through incorporating high quality luminaires.

Beautifully designed and made in Australia the Fuji Gatsu features a domed diffused luminaire with subtle uplighting into the panel, providing a perfect solution for general ambient illumination.

The Fuji Roku Gatsu can be mounted singularly or as a large group, either with suspended or surface mounted on 3 circuit track.

## Product Details

Absolute luminous flux	up to 1125 lm
System watts	5.5W / 8W / 10W
Luminaire efficacy	up to 112lm/W
Colour deviation	3 SDCM
Colour rendition Index	>90
Correlated colour temperature	2700K / 3000K / 3500K / 4000K
Lumen maintenance	L80B10 73,000hours
Dimming method	DALI / Casambi
Compatible track	Compatible with Global 3-circuit track
Diffuser	Frosted acrylic diffuser
Luminaire housing	Aluminium
Luminaire housing colour	Black / White / Custom
Luminaire baffle colour	Black
Custom body finishes	Custom powdercoat colour
Acoustic cover	PET, 60% post consumer recycled PET
Acoustic cover colour	Black/Black, Black/Cream, Cream/Cream
Country of origin	Australia
Warranty	7 years

## OPTIONAL ACCESSORIES



BLANKING COVER WH  
FUJI.BLANK.WH



BLANKING COVER BL  
FUJI.BLANK.BL

Blanking plates are used in place of luminaires when a luminaire is not required

## PANEL COLOUR OPTIONS



BLACK UPPER /  
CREAM LOWER



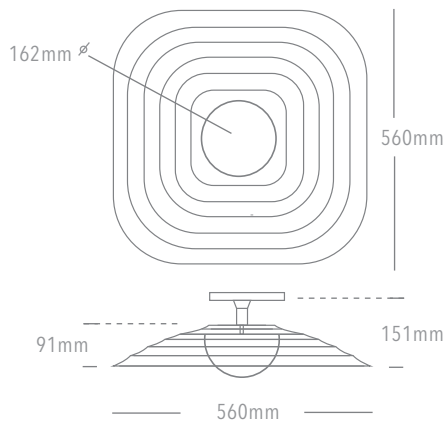
BLACK UPPER /  
BLACK LOWER



CREAM UPPER /  
CREAM LOWER

## TECHNICAL SPECIFICATIONS

### Dimensions



Complete with 3-circuit track adaptor - Track and track accessories sold separately

### Fuji hood sound absorption

Fuji Hood dimensions mm (+ / - 3mm)	o.d.s*mm (+ / - 3mm)	Performance indices			
		$\alpha_w$	Class	SAA	NRC
ROKU 560mm x 560mm x 90mm	199	0.75	C	0.72	0.7

\*o.d.s = overall depth of system

### Fuji hood fire test

BS EN 13501.1: Classification B - s1, d0  
ISO 9705: Group 2  
GB 8624 B1  
ASTM E84 Unadhered: Class 1 or A

### Fuji hood emissions

FUJI ROKU, JUNI, KU and HACHI achieves:  
ASTM D5116: TVOC Emissions Rate: <0.046mg/m<sup>2</sup>/hr (7 days)  
CDPH Standard Method v1.2: TVOC Emissions Rate: <0.020mg/m<sup>3</sup>  
Formaldehyde Emissions Rate: <1µg/m<sup>3</sup>

### Fuji hood composition

Fuji Hood: 100% PET (64% post-consumer recycled)

For additional specifications and performance details including ies files please visit [www.elslighting.com.au](http://www.elslighting.com.au)

## Product Variants HOW TO SPECIFY

### FIXED CCT

Select from the available options to configure luminaire

FRG	200	93	66	W	CC	
MODEL	OUTPUT	CRI CCT	DIMMING	LUMINAIRE COLOUR	COVER FINISH	
FRG FUJI ROKU	100 8W - 650lm	9 90+	27 2700K	61 NON DIM	W WHITE	908 CREAM/CREAM
GATSU	150 8W - 870lm	3 3000K	66 DALI	B BLACK	420 CREAM/BLACK	
	200 10W - 1142lm	35 3500K	68 CASAMBI	X CUSTOM	550 BLACK/BLACK	
		4 4000K				

Lumen outputs listed based on 4000K option in cream cover



Direct ceiling mounted track



Australian made like nothing **ELS**e.