

# FLEX ADJUSTABLE 50 | LENS

Premium adjustable downlight with lens technology



## Product Description

Flex by name and Flex by design. The Flex Adjustable 50 luminaire is the most versatile high performance downlight luminaire available in the ELS range.

Presenting a sleek minimalist style, the Flex Adjustable 50 features optics that ensure exceptional glare control a cornerstone of ELS's design philosophy.

It is available with variable output technology to optimise performance to exact project requirements.

## Product Details

Absolute luminous flux	538lm - 1155lm
System watts	6W / 8W / 10W / 12W / 14W
Luminaire efficacy	up to 96lm/W
Colour deviation	2 SDCM
Colour rendition Index	>95
Correlated colour temperature	2700K / 3000K / 3500K / 4000K / White Tunable / RGBW
Lumen maintenance	L90B10 90,000hours
Dimming method	Trailing Edge / DALI / Casambi
Optic	PMMA Clear Lens
Beam angle	16° / 24° / 33° / 55° / Oval / Asymmetric / Linear / Zoom
Luminaire housing	Aluminium
Luminaire housing colour	Black / White / Silver / Custom
Luminaire baffle colour	Black
Custom body finishes	Custom powdercoat colour
Country of origin	Australia
Warranty	7 years

## OPTIONAL ACCESSORIES



HONEYCOMB LOUVRE  
FFL50.HONEYCOMB

Used to provide additional glare control in sensitive areas. Easily installed by placing behind the luminaire baffle.



SPECIALTY COLOUR FILTER  
FFL50.COLOUR.XXX

High quality borosilicate glass filters for premium colourfast performance. Available in a selection of colours. Easily installed by placing behind the luminaire baffle.

## Product Variants

### HOW TO SPECIFY

#### FIXED CCT

Select from the available options to configure luminaire

<b>FAL50</b>	.	<b>250</b>	.	<b>55</b>	.	<b>93</b>	.	<b>66</b>	.	<b>W</b>
MODEL		OUTPUT		DISTRIBUTION		CRI CCT		DIMMING		COLOUR FINISH
FAL50		150 6W - 538lm 200 8W - 703lm 250 10W - 860lm 300 12W - 1009lm 350 14W - 1155lm		16 16° 24 24° 33 33° 55 55° OV OVAL 20x60° AS ASYMMETRIC LN LINEAR ZM ZOOM 20-42°		9 95+ 27 2700K 3 3000K 35 3500K 4 4000K		61 NON DIM 63 TRAILING EDGE 66 DALI 68 CASAMBI		W WHITE B BLACK X CUSTOM

*Lumen outputs listed based on 4000K, 55degree option*

#### TUNABLE WHITE

Select from the available options to configure luminaire

<b>FAL50</b>	.	<b>150</b>	.	<b>41</b>	.	<b>TW</b>	.	<b>66</b>	.	<b>W</b>
MODEL		OUTPUT		DISTRIBUTION		CCT		DIMMING		COLOUR FINISH
FAL50		150 7W 250 10W 350 13W		18 18° 25 25° 30 30° 41 41° OV OVAL 20x60° AS ASYMMETRIC LN LINEAR		TW 2700K-6000K 95+ CRI		66 DALI 68 CASAMBI		W WHITE B BLACK X CUSTOM

## Product Variants

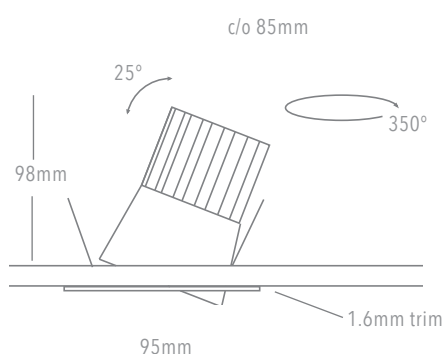
HOW TO SPECIFY CONT.

### RGBW

Select from the available options to configure luminaire

<b>FAL50</b>	.	<b>350</b>	.	<b>55</b>	.	<b>RGBW3</b>	.	<b>66</b>	.	<b>W</b>
MODEL		OUTPUT		DISTRIBUTION		CCT		DIMMING		COLOUR FINISH
FAL50		350 7W 500 10W 700 13W		13 13° 24 24° 36 36° 55 55° OV OVAL 20x60° AS ASYMMETRIC LN LINEAR		RGBW3 RGBW -3000K RGBW4 RGBW -4000K		66 DALI 68 CASAMBI 69 DMX		W WHITE B BLACK X CUSTOM

### TECHNICAL SPECIFICATIONS



### OTHER LUMINAIRES WITHIN THE FAMILY

- Flex Trimless
- Flex Fixed 50 Recessed
- Flex Adjustable 50 Recessed
- Flex 50 Surface
- Flex 50 Pendant
- Flex 50 Trackspot
- Flex Fixed 70 Recessed
- Flex Adjustable 70 Recessed
- Flex 70 Surface Mini
- Flex 70 Surface
- Flex 70 Pendant Mini
- Flex 70 Pendant
- Flex 70 Pendant Double
- Flex 70 Trackspot
- Flex 70 Wall Double
- Flex 70 Wall Single
- Flex 100 Mini Surface
- Flex 100 Mini Pendant
- Flex 150 Mini Surface
- Flex 150 Mini Pendant



Australian made like nothing **ELSe.**