

# FLEX FIXED 70 | LENS

Premium fixed downlight with lens technology



## Product Description

Flex by name and Flex by design. The Flex Fixed 70 luminaire is the most versatile high performance spotlight luminaire available in the ELS range.

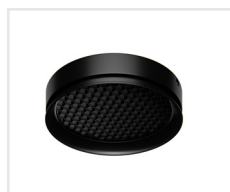
Presenting a sleek minimalist style, the Flex Fixed 70 features optics that ensure exceptional glare control a cornerstone of ELS's design philosophy.

It is available with variable output technology to optimise performance to exact project requirements.

## Product Details

|                               |                                                                 |
|-------------------------------|-----------------------------------------------------------------|
| Absolute luminous flux        | 589lm - 1750lm                                                  |
| System watts                  | 8W / 10W / 12W / 14W / 16W / 18W / 20W                          |
| Luminaire efficacy            | up to 100lm/W                                                   |
| Colour deviation              | 2 SDCM                                                          |
| Colour rendition Index        | >95                                                             |
| Correlated colour temperature | 2700K / 3000K / 3500K / 4000K / White Tunable / RGBW            |
| Lumen maintenance             | L90B10 90,000hours                                              |
| Dimming method                | Trailing Edge / DALI / Casambi                                  |
| Optic                         | PMMA Clear Lens                                                 |
| Beam angle                    | 13° / 25° / 34° / 54° / 80° / Oval / Asymmetric / Linear / Zoom |
| Luminaire housing             | Aluminium                                                       |
| Luminaire housing colour      | Black / White / Silver / Custom                                 |
| Luminaire baffle colour       | Black / Custom                                                  |
| Custom body finishes          | Custom powdercoat colour                                        |
| Country of origin             | Australia                                                       |
| Warranty                      | 7 years                                                         |

## OPTIONAL ACCESSORIES



HONEYCOMB LOUVRE  
FFL70.HONEYCOMB

Used to provide additional glare control in sensitive areas. Easily installed by placing behind the luminaire baffle.



SPECIALTY COLOUR FILTER  
FFL70.COLOUR.XXX

High quality borosilicate glass filters for premium colourfast performance. Available in a selection of colours. Easily installed by placing behind the luminaire baffle.



IPX4 LENS  
FFL70.IPX4

A clear IPX4 lens. Required to be installed at time of manufacture.



HALO RING  
FFL70.HALO

A glowing ring attachment that emits a soft glowing light across the ceiling. Easily installed by removing the luminaire baffle.

## Product Variants

### HOW TO SPECIFY

#### FIXED CCT

Select from the available options to configure luminaire

| FFL70 | 250                                                                                                                                   | 54                                                                                                       | 93                                                  | 66                                                      | W                              |
|-------|---------------------------------------------------------------------------------------------------------------------------------------|----------------------------------------------------------------------------------------------------------|-----------------------------------------------------|---------------------------------------------------------|--------------------------------|
| MODEL | OUTPUT                                                                                                                                | DISTRIBUTION                                                                                             | CRI CCT                                             | DIMMING                                                 | COLOUR FINISH                  |
| FFL70 | 200 8W - 743lm<br>250 10W - 865lm<br>300 12W - 1023lm<br>350 14W - 1209lm<br>400 16W - 1360lm<br>450 18W - 1500lm<br>500 20W - 1645lm | 13 13°<br>25 25°<br>34 34°<br>54 54°<br>OV OVAL 20°x60°<br>AS ASYMMETRIC<br>LN LINEAR<br>ZM ZOOM 20°-42° | 9 95+<br>27 2700K<br>3 3000K<br>35 3500K<br>4 4000K | 61 NON DIM<br>63 TRAILING EDGE<br>66 DALI<br>68 CASAMBI | W WHITE<br>B BLACK<br>X CUSTOM |

*Lumen outputs listed based on 4000K, 54degree option*

#### TUNABLE WHITE

Select from the available options to configure luminaire

| FFL70 | 350                                                     | 43                                                                                                      | TW                        | 66                    | W                              |
|-------|---------------------------------------------------------|---------------------------------------------------------------------------------------------------------|---------------------------|-----------------------|--------------------------------|
| MODEL | OUTPUT                                                  | DISTRIBUTION                                                                                            | CCT                       | DIMMING               | COLOUR FINISH                  |
| FFL70 | 350 14W - 834lm<br>500 18W - 1170lm<br>700 25W - 1591lm | 21 21°<br>25 25°<br>28 28°<br>43 43°<br>OV OVAL 20x60°<br>AS ASYMMETRIC<br>LN LINEAR<br>ZM ZOOM 20°-42° | TW 2700K-6000K<br>95+ CRI | 66 DALI<br>68 CASAMBI | W WHITE<br>B BLACK<br>X CUSTOM |

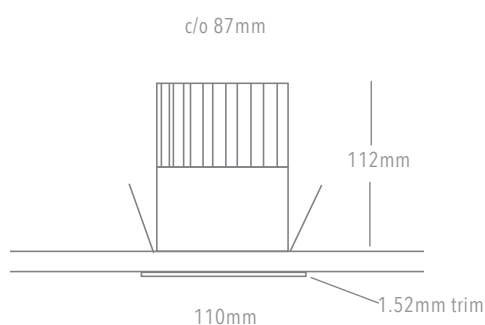
*Lumen outputs listed based on 4000K, 43 degree option*

## RGBW

Select from the available options to configure luminaire

|              |                              |                                                                                                         |                                        |                                 |                                |
|--------------|------------------------------|---------------------------------------------------------------------------------------------------------|----------------------------------------|---------------------------------|--------------------------------|
| <b>FFL70</b> | <b>350</b>                   | <b>63</b>                                                                                               | <b>RGBW3</b>                           | <b>66</b>                       | <b>W</b>                       |
| MODEL        | OUTPUT                       | DISTRIBUTION                                                                                            | CCT                                    | DIMMING                         | COLOUR FINISH                  |
| FFL70        | 350 7W<br>500 10W<br>700 13W | 16 16°<br>33 33°<br>43 43°<br>63 63°<br>OV OVAL 20x60°<br>AS ASYMMETRIC<br>LN LINEAR<br>ZM ZOOM 20°-42° | RGBW3 RGBW -3000K<br>RGBW4 RGBW -4000K | 66 DALI<br>68 CASAMBI<br>69 DMX | W WHITE<br>B BLACK<br>X CUSTOM |

## TECHNICAL SPECIFICATIONS



## OTHER LUMINAIRES WITHIN THE FAMILY

- Flex Trimless
- Flex Fixed 50 Recessed
- Flex Adjustable 50 Recessed
- Flex 50 Surface
- Flex 50 Pendant
- Flex 50 Trackspot
- Flex Fixed 70 Recessed
- Flex Adjustable 70 Recessed
- Flex 70 Surface Mini
- Flex 70 Surface
- Flex 70 Pendant Mini
- Flex 70 Pendant
- Flex 70 Pendant Double
- Flex 70 Trackspot
- Flex 70 Wall Double
- Flex 70 Wall Single
- Flex 100 Mini Surface
- Flex 100 Mini Pendant
- Flex 150 Mini Surface
- Flex 150 Mini Pendant



Australian made like nothing **ELS**e.