

# FLEX 70 PENDANT | LENS

Premium pendant luminaire with lens technology

# ELS



## Product Description

Flex by name and Flex by design. The Flex 70 Pendant luminaire is one most versatile high performance pendant luminaires available in the ELS range.

Presenting a sleek minimalist style, the Flex 70 Pendant features optics that ensure exceptional glare control a cornerstone of ELS's design philosophy.

It is available with variable output technology to optimise performance to exact project requirements.

## Product Details

Absolute luminous flux	680lm - 1209lm
System watts	8W / 10W / 12W / 14W
Luminaire efficacy	up to 100lm/W
Colour deviation	2 SDCM
Colour rendition Index	>95
Correlated colour temperature	2700K / 3000K / 3500K / 4000K / RGBW
Lumen maintenance	L90B10 90,000hours
Dimming method	Non dimm / Trailing Edge / DALI / Casambi
Optic	PMMA Clear Lens
Beam angle	13° / 25° / 34° / 54° / 80° / Oval / Asymmetric / Linear / Zoom
Luminaire housing	Aluminium Powdercoated
Luminaire housing colour	Black / White / Custom
Luminaire baffle colour	Black / Custom
Custom body finishes	Custom powdercoat colour
Suspension	Clear flex 1m
Country of origin	Australia
Warranty	7 years

## OPTIONAL ACCESSORIES



**HONEYCOMB LOUVRE**  
FFL70.HONEYCOMB

Used to provide additional glare control in sensitive areas. Easily installed by placing behind the luminaire baffle.



**SPECIALTY COLOUR FILTER**  
FFL70.COLOUR.XXX

High quality borosilicate glass filters for premium colourfast performance. Available in a selection of colours. Easily installed by placing behind the luminaire baffle.



**XL BAFFLE**  
FPL70.XLB

A deep 17mm baffle to provide extra visual comfort in sensitive areas. Supplied in black as standard. Supplied in place of the standard baffle. Easily retrofitted by removing the existing baffle



**HALO RING**  
FPL70.HALO

A discreet 7mm glowing ring attachment that emits a soft glowing light. Supplied in place of the standard baffle. Easily retrofitted by removing the existing baffle.

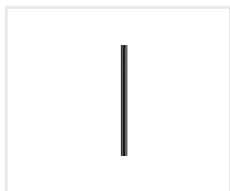
## Product Variants

### OPTIONAL ACCESSORIES CONT.



ROD KIT 500MM  
ROD.KIT.500.B  
ROD.KIT.500.W

An optional rod suspension kit to suit the Flex pendant range. Comes complete with 500mm rod and ceiling rose



ROD KIT 1000MM  
ROD.KIT.1000.B  
ROD.KIT.1000.W

An optional rod suspension kit to suit the Flex pendant range. Comes complete with 1000mm rod and ceiling rose



ROD KIT 1500MM  
ROD.KIT.1500.B  
ROD.KIT.1500.W

An optional rod suspension kit to suit the Flex pendant range. Comes complete with 1500mm rod and ceiling rose

### OPTIONAL CLOTH FLEX



BLACK  
3C.BLK  
5C.BLK



GOLD  
3C.GO  
5C.GO



WHITE  
3C.WH  
5C.WH



YELLOW  
3C.YL



ORANGE  
3C.OR



RED  
3C.RD



EMERALD  
3C.EM



LIGHT BLUE  
3C.LB

3 CORE OR 5 CORE

3 CORE ONLY

### CUSTOM HOUSING DESIGN



DESIGN 1  
FPL70.D1



DESIGN 2  
FPL70.D2



DESIGN 3  
FPL70.D3

INTERNAL COLOUR  
TO SPECIFY AN ALTERNATIVE INTERNAL COLOUR (AS PICTURED ABOVE)  
ADD INTERNAL COLOUR AFTER CUSTOM DESIGN PART CODE  
ie. FPL70.D1.GOLD

\*SECONDARY OPTICS (INCLUDING OVAL, ASYMMETRIC, ZOOM, HONEYCOMB & COLOURED FILTERS) NOT AVAILABLE WITH CUSTOM HOUSING DESIGNS

## Product Variants

### HOW TO SPECIFY

#### FIXED CCT

Select from the available options to configure luminaire

<b>FPL70</b>	.	<b>250</b>	.	<b>54</b>	.	<b>93</b>	.	<b>66</b>	.	<b>W</b>
MODEL		OUTPUT		DISTRIBUTION		CRI CCT		DIMMING		COLOUR FINISH
FPL70		200 8W - 743lm 250 10W - 865lm 300 12W - 1023lm 350 14W - 1209lm		13 13° 25 25° 34 34° 54 54° 80 80° OV OVAL 20°x60° AS ASYMMETRIC LN LINEAR ZM ZOOM		9 95+ 27 2700K 3 3000K 35 3500K 4 4000K		61 NON DIM 63 TRAILING EDGE 66 DALI 68 CASAMBI		W WHITE B BLACK X CUSTOM

Lumen outputs listed based on 4000K, 54degree option

#### TUNABLE WHITE

Select from the available options to configure luminaire

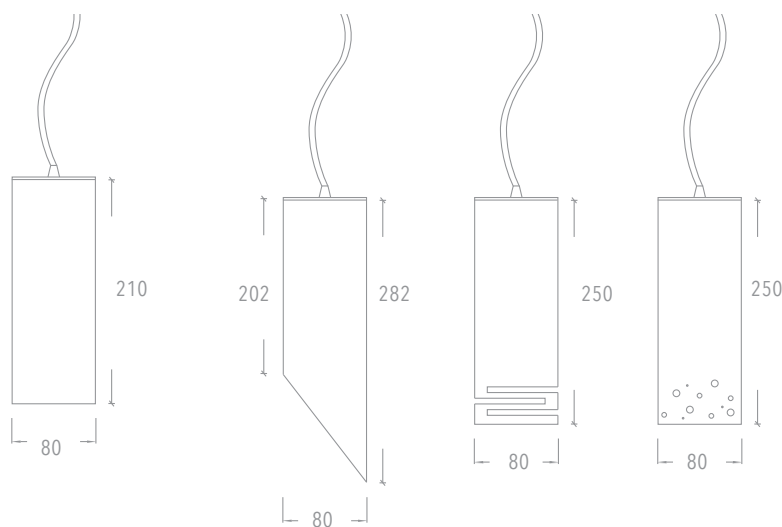
<b>FPL70</b>	.	<b>350</b>	.	<b>43</b>	.	<b>TW</b>	.	<b>66</b>	.	<b>W</b>
MODEL		OUTPUT		DISTRIBUTION		CCT		DIMMING		COLOUR FINISH
FPL70		350 14W 500 18W		21 21° 25 25° 28 28° 43 43° OV OVAL 20°x60° AS ASYMMETRIC LN LINEAR		TW 2700K-6000K 95+ CRI		66 DALI 68 CASAMBI		W WHITE B BLACK X CUSTOM

## RGBW

Select from the available options to configure luminaire

<b>FPL70</b>	<b>350</b>	<b>63</b>	<b>RGBW3</b>	<b>66</b>	<b>W</b>
MODEL	OUTPUT	DISTRIBUTION	CCT	DIMMING	COLOUR FINISH
FPL70	350 7W 500 10W	16 16° 33 33° 43 43° 63 63° OV OVAL 20°x60° AS ASYMMETRIC LN LINEAR	RGBW3 RGBW -3000K RGBW4 RGBW -4000K	66 DALI 68 CASAMBI 69 DMX	W WHITE B BLACK X CUSTOM

## TECHNICAL SPECIFICATIONS



## OTHER LUMINAIRES WITHIN THE FAMILY

- Flex Trimless
- Flex Fixed 50 Recessed
- Flex Adjustable 50 Recessed
- Flex 50 Surface
- Flex 50 Pendant
- Flex 50 Trackspot
- Flex Fixed 70 Recessed
- Flex Adjustable 70 Recessed
- Flex 70 Surface Mini
- Flex 70 Surface
- Flex 70 Pendant Mini
- Flex 70 Pendant
- Flex 70 Pendant Double
- Flex 70 Trackspot
- Flex 70 Wall Double
- Flex 70 Wall Single
- Flex 100 Mini Surface
- Flex 100 Mini Pendant
- Flex 150 Mini Surface
- Flex 150 Mini Pendant



Australian made like nothing **ELS**e.