

FLEX ADJUSTABLE 70 | LENS

Premium adjustable downlight with lens technology

ELS



Product Description

Flex by name and Flex by design. The Flex Adjustable 70 luminaire is the most versatile high performance spotlight luminaire available in the ELS range.

Presenting a sleek minimalist style, the Flex Adjustable 70 features optics that ensure exceptional glare control, a cornerstone of ELS's design philosophy.

It is available with variable output technology to optimise performance to exact project requirements.

Product Details

Absolute luminous flux	589lm - 1750lm
System watts	8W / 10W / 12W / 14W / 16W / 18W / 20W
Luminaire efficacy	up to 100lm/W
Colour deviation	2 SDCM
Colour rendition Index	>95
Correlated colour temperature	2700K / 3000K / 3500K / 4000K / White tunable / RGBW
Lumen maintenance	L90B10 90,000hours
Dimming method	Trailing Edge / DALI / Casambi
Optic	PMMA Clear Lens
Beam angle	13° / 25° / 34° / 54° / 80° / Oval / Zoom / Asymmetric / Linear
Luminaire housing	Aluminium
Luminaire housing colour	Black / White / Silver / Custom
Luminaire baffle colour	Black / Custom
Custom body finishes	Custom powdercoat colour
Country of origin	Australia
Warranty	7 years

OPTIONAL ACCESSORIES



HONEYCOMB LOUVRE
FFL70.HONEYCOMB

Used to provide additional glare control in sensitive areas. Easily installed by placing behind the luminaire baffle.



SPECIALTY COLOUR FILTER
FFL70.COLOUR.XXX

High quality borosilicate glass filters for premium colourfast performance. Available in a selection of colours. Easily installed by placing behind the luminaire baffle.

Product Variants

HOW TO SPECIFY

FIXED CCT

Select from the available options to configure luminaire

FAL70	.	250	.	54	.	93	.	66	.	W
MODEL		OUTPUT		DISTRIBUTION		CRI CCT		DIMMING		COLOUR FINISH
FAL70		200 8W - 743lm		13 13°		9 95+ 27 2700K				W WHITE
		250 10W - 865lm		25 25°		3 3000K				B BLACK
		300 12W - 1023lm		34 34°		35 3500K				X CUSTOM
		350 14W - 1209lm		54 54°		4 4000K				
		400 16W - 1360lm		OV OVAL 20x60°				61 NON DIM		
		450 18W - 1500lm		AS ASYMMETRIC				63 TRAILING EDGE		
		500 20W - 1645		LN LINEAR				66 DALI		
				ZM ZOOM 17°- 41°				68 CASAMBI		

Lumen outputs listed based on 4000K, 54degree option

TUNABLE WHITE

Select from the available options to configure luminaire

FAL70	.	350	.	43	.	TW	.	66	.	W
MODEL		OUTPUT		DISTRIBUTION		CCT		DIMMING		COLOUR FINISH
FAL70		350 14W - 834lm		21 21°		TW 2700K-6000K				W WHITE
		500 18W - 1170lm		25 25°		95+ CRI				B BLACK
		700 25W - 1591lm		28 28°				66 DALI		X CUSTOM
				43 43°				68 CASAMBI		
				OV OVAL 20°x60°						
				AS ASYMMETRIC						
				LN LINEAR						
				ZM ZOOM 17°- 41°						

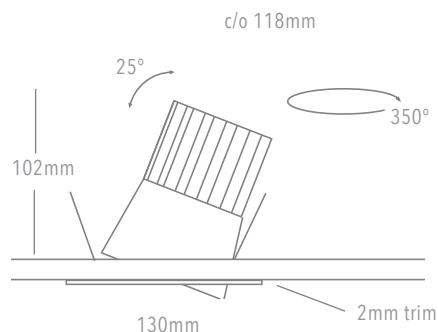
Lumen outputs listed based on 4000K, 43 degree option

RGBW

Select from the available options to configure luminaire

FAL70	350	63	RGBW3	66	W
MODEL	OUTPUT	DISTRIBUTION	CCT	DIMMING	COLOUR FINISH
FAL70	350 7W 500 10W 700 13W	16 16° 33 33° 43 43° 63 63° OV OVAL 20°x60° AS ASYMMETRIC LN LINEAR	RGBW3 RGBW -3000K RGBW4 RGBW -4000K	66 DALI 68 CASAMBI 69 DMX	W WHITE B BLACK X CUSTOM

TECHNICAL SPECIFICATIONS



OTHER LUMINAIRES WITHIN THE FAMILY

- Flex Trimless
- Flex Fixed 50 Recessed
- Flex Adjustable 50 Recessed
- Flex 50 Surface
- Flex 50 Pendant
- Flex 50 Trackspot
- Flex Fixed 70 Recessed
- Flex Adjustable 70 Recessed
- Flex 70 Surface Mini
- Flex 70 Surface
- Flex 70 Pendant Mini
- Flex 70 Pendant
- Flex 70 Pendant Double
- Flex 70 Trackspot
- Flex 70 Wall Double
- Flex 70 Wall Single
- Flex 100 Mini Surface
- Flex 100 Mini Pendant
- Flex 150 Mini Surface
- Flex 150 Mini Pendant



Australian made like nothing **ELS**e.