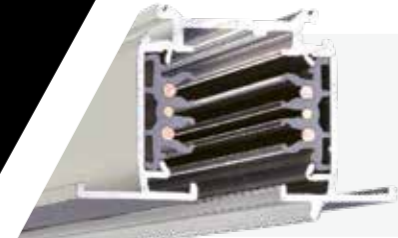




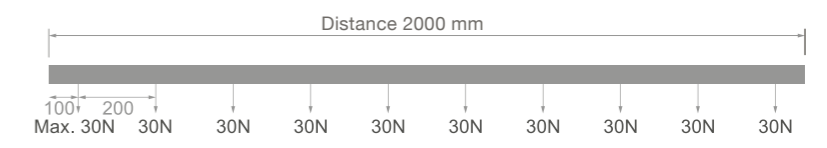
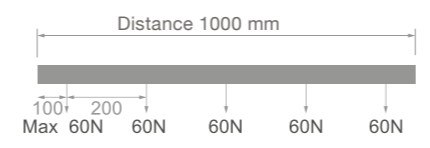
### 3-CIRCUIT DALI TRACK SYSTEM



## FEATURES & BENEFITS

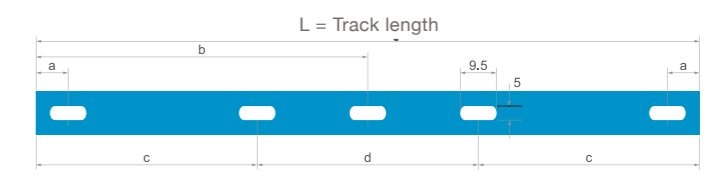
- Create your own smart DALI track system.
- 3-Circuit DALI solutions helps customers to create atmosphere and added value. The track is suitable for track lights with a 3-circuit DALI adapter.
- A comprehensive range of innovative DALI accessories.
- Quick and easy to install.
- Also available in recessed version.

## FEATURES & BENEFITS



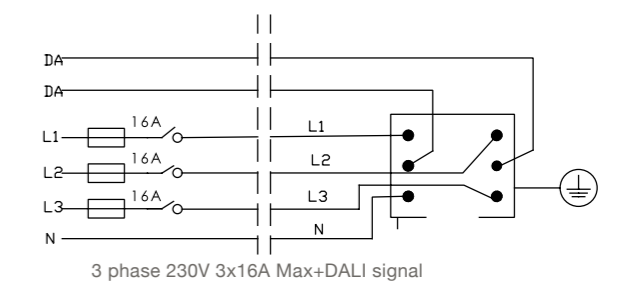
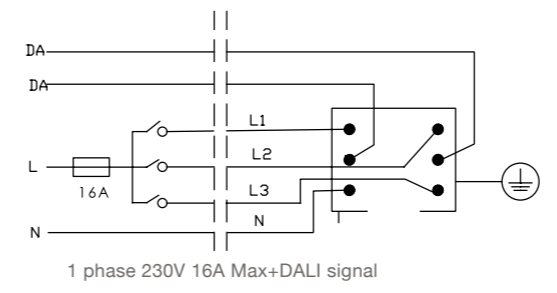
## FIXING POINT DIMENSIONS

L / mm	a / mm	b / mm	c / mm	d / mm
1000	125			
2000	125	998		
3000	125		914	1167



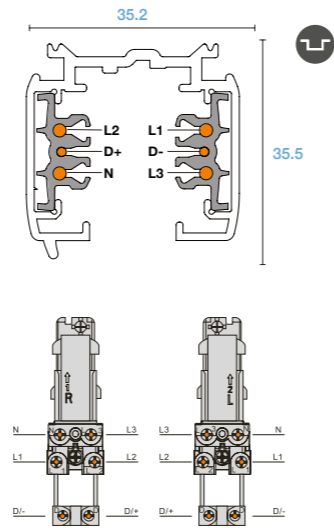
It is recommended to fasten the track at every hole with a screw or suspension kit.

## CONNECTING DIAGRAM



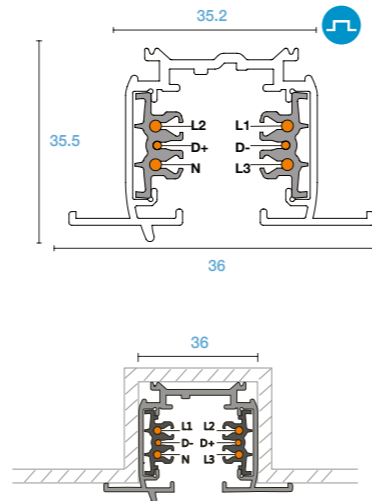
3-CIRCUIT DALI SURFACE MOUNTED TRACK SYSTEM

Product Code	Product description	Colour
PRO-0610-W	1 M DALI track (1000mm)	White <input type="checkbox"/>
PRO-0610-S	1 M DALI track (1000mm)	Grey <input checked="" type="checkbox"/>
PRO-0610-B	1 M DALI track (1000mm)	Black <input checked="" type="checkbox"/>
<hr/>		
PRO-0620-W	2 M DALI track (2000mm)	White <input type="checkbox"/>
PRO-0620-S	2 M DALI track (2000mm)	Grey <input checked="" type="checkbox"/>
PRO-0620-B	2 M DALI track (2000mm)	Black <input checked="" type="checkbox"/>
<hr/>		
PRO-0630-W	3 M DALI track (3000mm)	White <input type="checkbox"/>
PRO-0630-S	3 M DALI track (3000mm)	Grey <input checked="" type="checkbox"/>
PRO-0630-B	3 M DALI track (3000mm)	Black <input checked="" type="checkbox"/>



3-CIRCUIT DALI RECESSED TRACK SYSTEM

Product Code	Product description	Colour
PRO-R610-W	1 M DALI track (1000mm) recessed	White <input type="checkbox"/>
PRO-R610-S	1 M DALI track (1000mm) recessed	Grey <input checked="" type="checkbox"/>
PRO-R610-B	1 M DALI track (1000mm) recessed	Black <input checked="" type="checkbox"/>
<hr/>		
PRO-R620-W	2 M DALI track (2000mm) recessed	White <input type="checkbox"/>
PRO-R620-S	2 M DALI track (2000mm) recessed	Grey <input checked="" type="checkbox"/>
PRO-R620-B	2 M DALI track (2000mm) recessed	Black <input checked="" type="checkbox"/>
<hr/>		
PRO-R630-W	3 M DALI track (3000mm) recessed	White <input type="checkbox"/>
PRO-R630-S	3 M DALI track (3000mm) recessed	Grey <input checked="" type="checkbox"/>
PRO-R630-B	3 M DALI track (3000mm) recessed	Black <input checked="" type="checkbox"/>



CONNECTION LEFT DALI 3-CIRCUIT

Product Code	EAN	Colour	Package
PRO-D631 L-W	8719747931370	White <input type="checkbox"/>	10 / 120
PRO-D631 L-S	8719747931387	Grey <input checked="" type="checkbox"/>	10 / 120
PRO-D631 L-B	8719747931394	Black <input checked="" type="checkbox"/>	10 / 120

CONNECTION RIGHT DALI 3-CIRCUIT

Product Code	EAN	Colour	Package
PRO-D631 R-W	8719747931400	White <input type="checkbox"/>	10 / 120
PRO-D631 R-S	8719747931417	Grey <input checked="" type="checkbox"/>	10 / 120
PRO-D631 R-B	8719747931424	Black <input checked="" type="checkbox"/>	10 / 120

COUPLER DALI 3-CIRCUIT

Product Code	EAN	Colour	Package
PRO-D633-W	8719747931431	White <input type="checkbox"/>	10 / 180
PRO-D633-S	8719747931448	Grey <input checked="" type="checkbox"/>	10 / 180
PRO-D633-B	8719747931455	Black <input checked="" type="checkbox"/>	10 / 180

MIDDLE CONNECTOR DALI 3-CIRCUIT

Product Code	EAN	Colour	Package
PRO-D634-W	8719747931462	White <input type="checkbox"/>	10 / 180
PRO-D634-S	8719747931479	Grey <input checked="" type="checkbox"/>	10 / 180
PRO-D634-B	8719747931486	Black <input checked="" type="checkbox"/>	10 / 180

END CAP

Product Code	EAN	Colour	Package
PRO-0432-W	8719747930274	White <input type="checkbox"/>	15 / 300
PRO-0432-S	8719747930281	Grey <input checked="" type="checkbox"/>	15 / 300
PRO-0432-B	8719747930298	Black <input checked="" type="checkbox"/>	15 / 300

FLEXIBLE CONNECTOR DALI 3-CIRCUIT

Product Code	EAN	Colour	Package
PRO-D639-W	8719747931554	White <input type="checkbox"/>	12 / 60
PRO-D639-S	8719747931561	Grey <input checked="" type="checkbox"/>	12 / 60
PRO-D639-B	8719747931578	Black <input checked="" type="checkbox"/>	12 / 60

X CONNECTOR DALI 3-CIRCUIT

Product Code	EAN	Colour	Package
PRO-D637-W	8719747931585	White <input type="checkbox"/>	2 / 24
PRO-D637-S	8719747931592	Grey <input checked="" type="checkbox"/>	2 / 24
PRO-D637-B	8719747931608	Black <input checked="" type="checkbox"/>	2 / 24





# L AND T CONNECTORS 3-CIRCUIT DALI TRACK SYSTEM

# COVER ACCESSORIES 3-CIRCUIT DALI TRACK SYSTEM

L CONNECTOR DALI LEFT 3-CIRCUIT

Product Code	EAN	Colour	Package
PRO-D635 L-W	8719747931493	White	12 / 60
PRO-D635 L-S	8719747931509	Grey	12 / 60
PRO-D635 L-B	8719747931516	Black	12 / 60

L CONNECTOR DALI RIGHT 3-CIRCUIT

Product Code	EAN	Colour	Package
PRO-D635 R-W	8719747931523	White	12 / 60
PRO-D635 R-S	8719747931530	Grey	12 / 60
PRO-D635 R-B	8719747931547	Black	12 / 60

T CONNECTOR DALI LEFT1 3-CIRCUIT

Product Code	EAN	Colour	Package
PRO-D636 L1-W	8719747931646	White	9 / 54
PRO-D636 L1-S	8719747931653	Grey	9 / 54
PRO-D636 L1-B	8719747931660	Black	9 / 54

T CONNECTOR DALI LEFT2 3-CIRCUIT

Product Code	EAN	Colour	Package
PRO-D636 L2-W	8719747931677	White	9 / 54
PRO-D636 L2-S	8719747931684	Grey	9 / 54
PRO-D636 L2-B	8719747931691	Black	9 / 54

T CONNECTOR DALI RIGHT1 3-CIRCUIT

Product Code	EAN	Colour	Package
PRO-D636 R1-W	8719747931707	White	9 / 54
PRO-D636 R1-S	8719747931714	Grey	9 / 54
PRO-D636 R1-B	8719747931721	Black	9 / 54

T CONNECTOR DALI RIGHT2 3-CIRCUIT

Product Code	EAN	Colour	Package
PRO-D636 R2-W	8719747931615	White	9 / 54
PRO-D636 R2-S	8719747931622	Grey	9 / 54
PRO-D636 R2-B	8719747931639	Black	9 / 54

CONNECTOR COVER

Product Code	EAN	Colour	Package
PRO-R631-W	8719747931820	White	40 / 480
PRO-R631-S	8719747931837	Grey	40 / 480
PRO-R631-B	8719747931844	Black	40 / 480

T CONNECTOR COVER

Product Code	EAN	Colour	Package
PRO-R436-W	8719747931196	White	30 / 360
PRO-R436-S	8719747931202	Grey	30 / 360
PRO-R436-B	8719747931219	Black	30 / 360

L CONNECTOR COVER

Product Code	EAN	Colour	Package
PRO-R435-W	8719747931165	White	25 / 500
PRO-R435-S	8719747931172	Grey	25 / 500
PRO-R435-B	8719747931189	Black	25 / 500

X CONNECTOR COVER

Product Code	EAN	Colour	Package
PRO-R437-W	8719747931226	White	80 / 480
PRO-R437-S	8719747931233	Grey	80 / 480
PRO-R437-B	8719747931240	Black	80 / 480

MIDDLE CONNECTOR COVER

Product Code	EAN	Colour	Package
PRO-R434-W	8719747931134	White	40 / 480
PRO-R434-S	8719747931141	Grey	40 / 480
PRO-R434-B	8719747931158	Black	40 / 480

CONNECTING DIAGRAM (Red line indicates polarity ridge)

