

FUSE ROUND TAPERED 960 | PENDANT

Acoustic pendant luminaire with high performance



Product Description

Turn up the light, turn down the sound. The new Fuse Tapered Range combines exceptional lighting performance with acoustic properties to assist with reducing sound reverberation.

Not only does the Fuse range push the boundaries with light and sound performance but also it's sustainability footprint. Manufactured in Australia, the shade is made from 60% post consumer recycled PET.

Product Details

Absolute luminous flux	8549lm - 14835lm
System watts	88W / 123W / 148W
Colour deviation	3 SDCM
Colour rendition Index	>90
Correlated colour temperature	3000K / 4000K
Lumen maintenance	L80B10 72,000hours
Dimming method	Non dimm / DALI / Casambi
Lens	Opal
Luminaire housing	PET - 60% recycled component
Luminaire housing colour	see colour swatches overleaf
Suspension	Wire suspended, Clear flex 1m
Warranty	7 years
Country of origin	Australia

Acoustic Properties

Frequency Hz	Sound Absorption Coefficient
250	0.94
500	1.41
1000	1.43
2000	1.60
4000	1.78

All testing carried out is compliant to the following Australian Standards

AS ISO 354-2006 (R2016) Acoustics—Measurement of sound absorption in a reverberation room

AS ISO 11654-2002 Rating of sound absorption—Materials and systems

ASTM C423-17 Standard Test Method for Sound Absorption and Sound Absorption Coefficients by the Reverberation Room Method

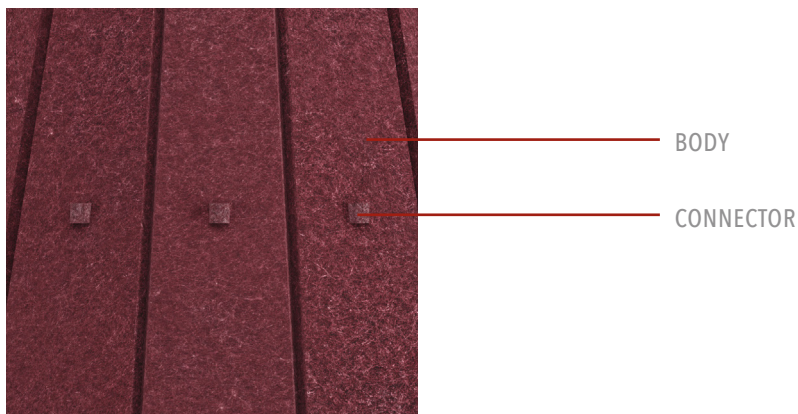
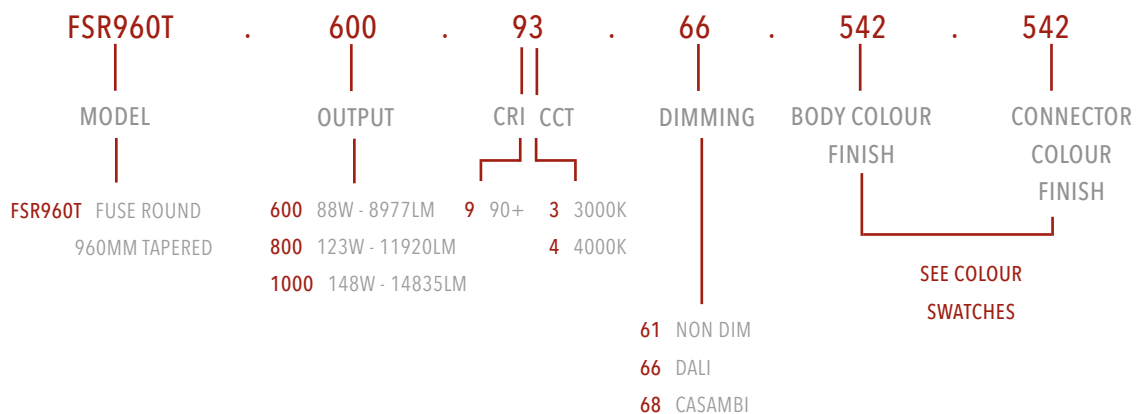
ASTM E795-16 Standard Practices for Mounting Test Specimens During Sound Absorption Tests

ISO 20189 Screens, furniture and single objects intended for interior use – Rating of sound absorption and sound reduction of elements based on laboratory measurements.

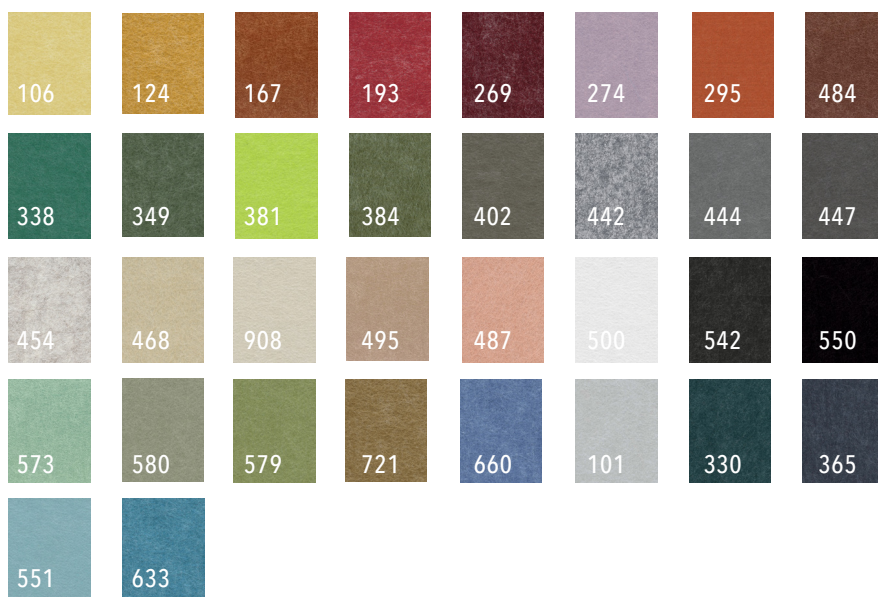
Product Variants

HOW TO SPECIFY

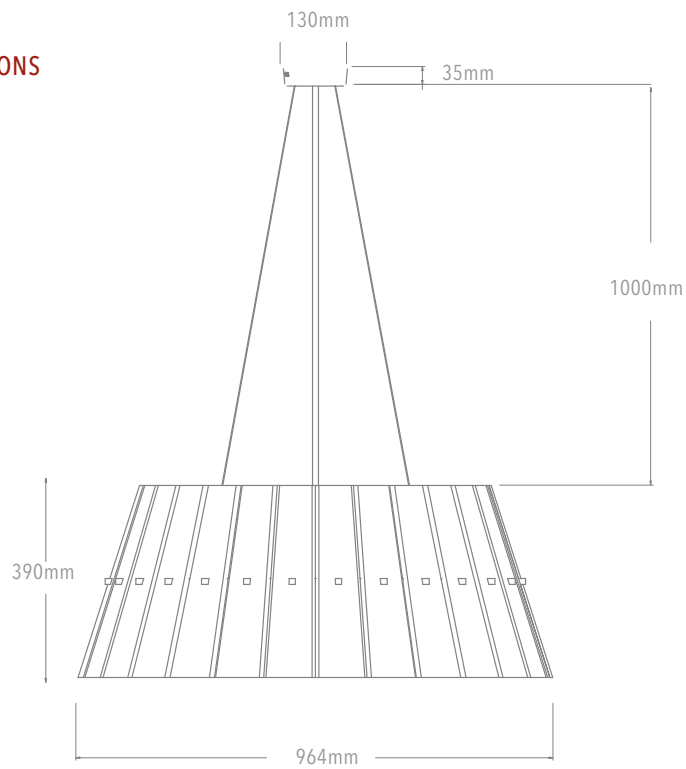
Select from the available options to configure luminaire



COLOUR OPTIONS



Product Variants
TECHNICAL SPECIFICATIONS



Australian made like nothing **ELS**e.